

Bonding line Aa

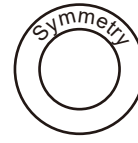
# LADIES'

Bonding line AA



## Tucked Skirt

Bonding line AA



Tucked Skirt  
Front body  
one sheets



Bonding line Ba

Bonding line AB

Bonding line AB

19.7in length cut line

21.7in length cut line

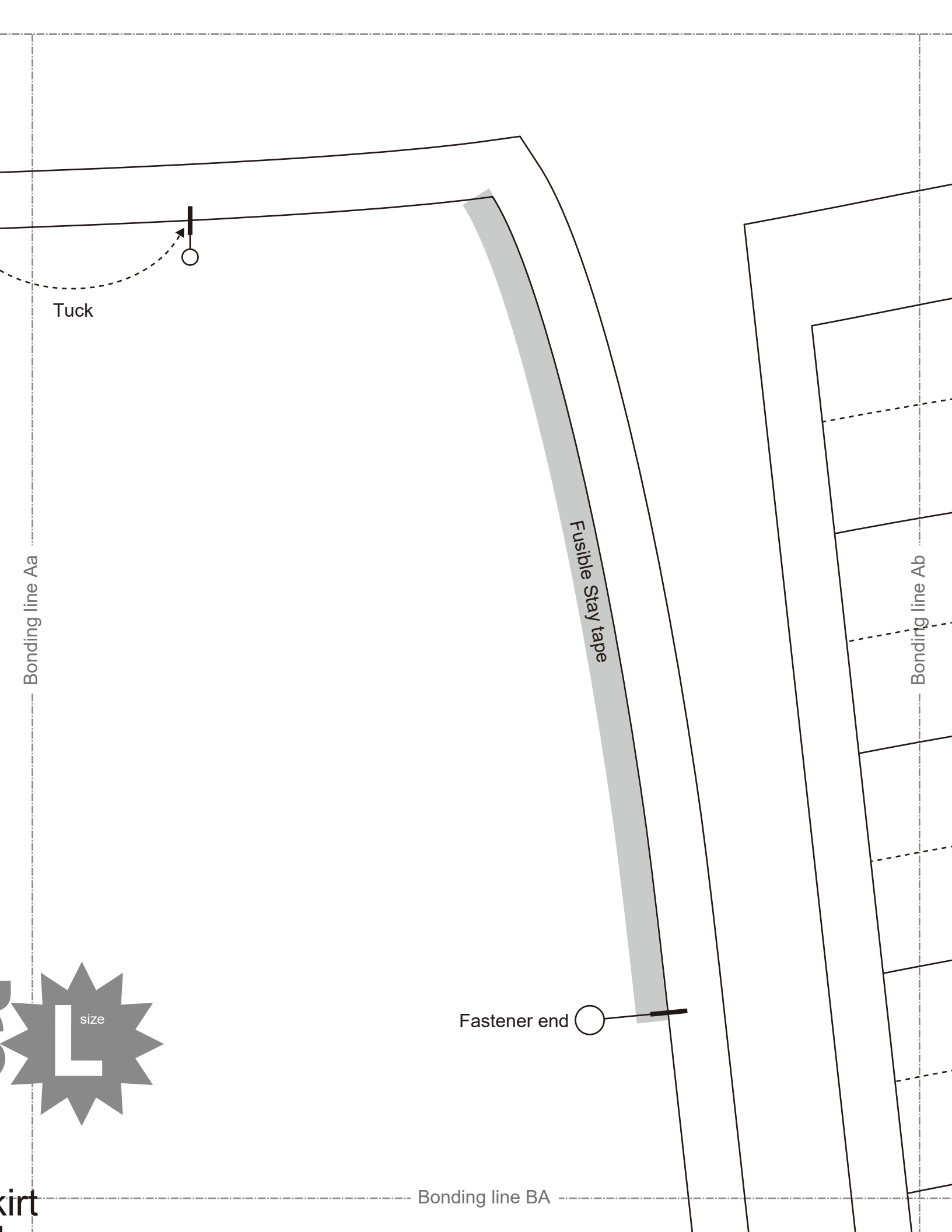
23.6in length cut line

25.6in length cut line

Seam a

Bonding line AC

Bonding line Ca



Tuck

Bonding line Aa

Fusible Stay tape

Bonding line Ab

Fastener end

Bonding line BA

size

kirt

kirt  
ly  
ts

Bonding line BA

Grain line

Bonding line Ba

Seam allowance 1/2in.

Bonding line Bb  
Seam allowance 1/2in.

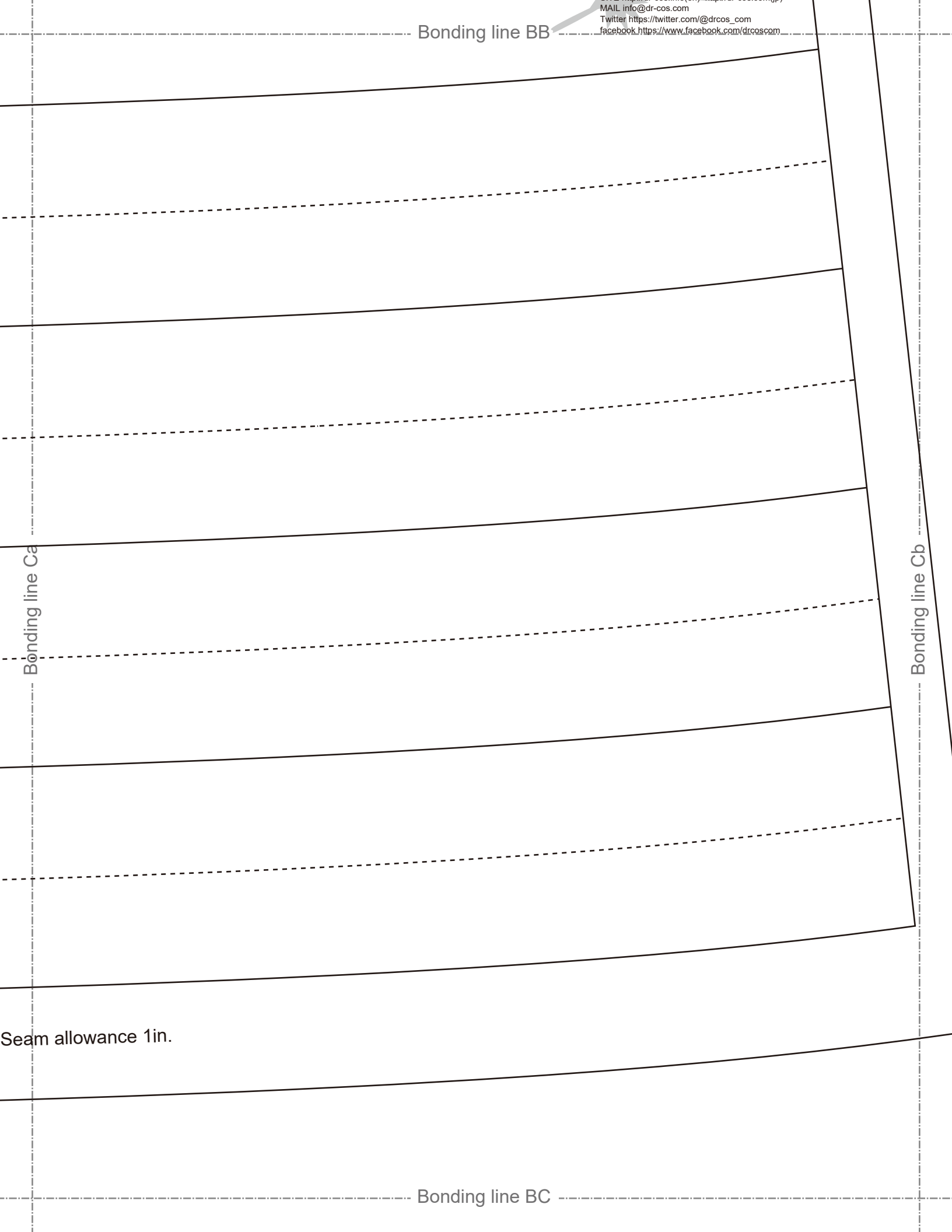
**DRCOS**

SITE [http://dr-cos.info\(en\)](http://dr-cos.info(en)) [http://dr-cos.com\(jp\)](http://dr-cos.com(jp))  
MAIL [info@dr-cos.com](mailto:info@dr-cos.com)  
Twitter [https://twitter.com/@drcos\\_com](https://twitter.com/@drcos_com)  
facebook <https://www.facebook.com/drcoscom>

Bonding line BB

Bonding line BB

MAIL [info@dr-cos.com](mailto:info@dr-cos.com)  
Twitter [@drcos\\_com](https://twitter.com/@drcos_com)  
facebook <https://www.facebook.com/drcoscom>

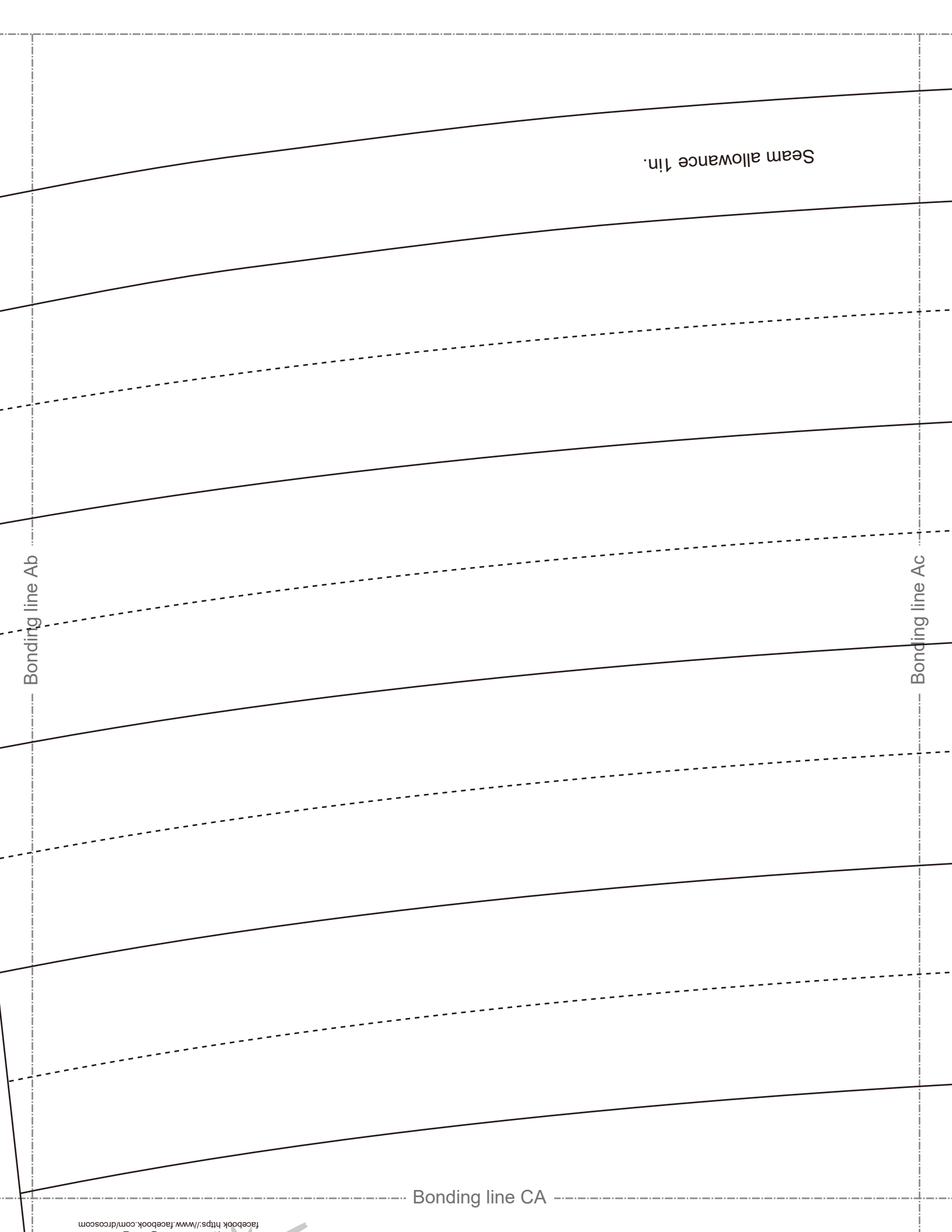


Bonding line Ca

Bonding line Cb

Seam allowance 1in.

Bonding line BC



Seam allowance 1in.

Bonding line Ab

Bonding line Ac

Bonding line CA

Bonding line CA

**DRCOS**  
 SITE <http://dr-cos.info/en> <http://dr-cos.com/jp>  
 MAIL [info@dr-cos.com](mailto:info@dr-cos.com)  
 Twitter [https://twitter.com/dr-cos\\_com](https://twitter.com/dr-cos_com)  
 Facebook <https://www.facebook.com/drcoscom>

Bonding line Bb  
 Seam allowance 1/2in.



Bonding line Bc

Bonding line CB

Uncked Skirt  
 back body  
 one sheets

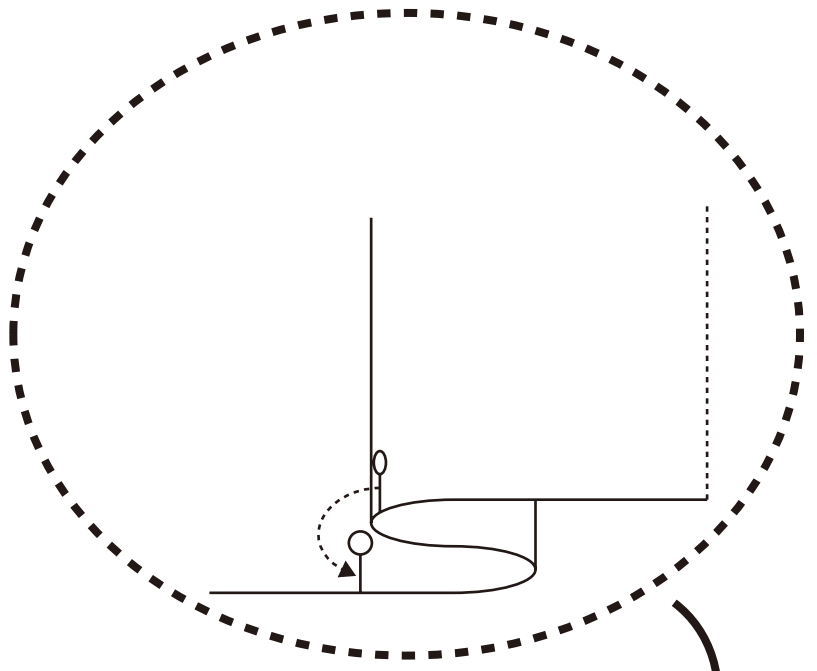




Bonding line CB

Bonding line Cb

Bonding line Cc



Tuck



Bonding line CC



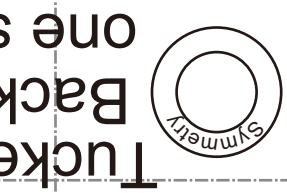
Bonding line DA

Bonding line Bc

Bonding line Bd



Bonding line DB



LADIE

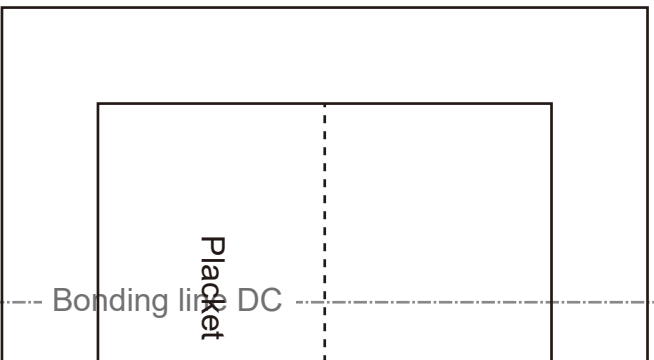
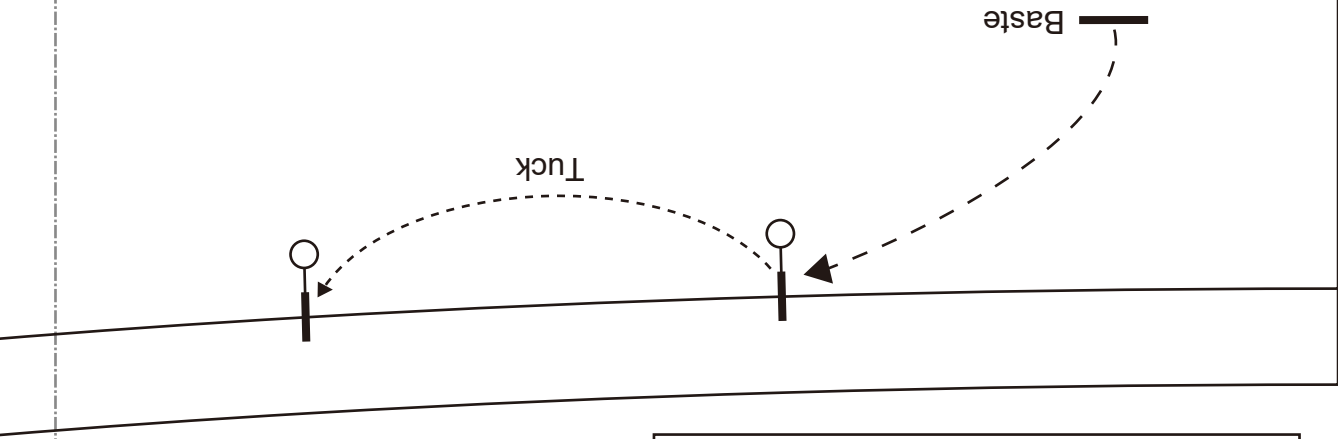
Tucke



Bonding line DB

Bonding line Cc

Bonding line Cd



Bonding line DC

Bonding line Dc

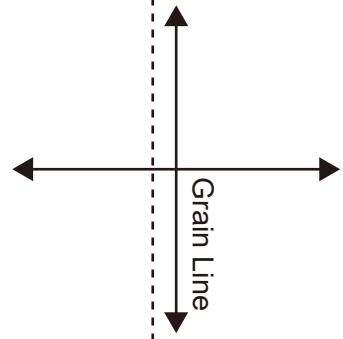
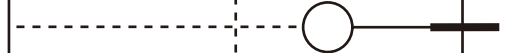
Bonding line DC

placket

Bonding line DD

FU

Bonding line Dd



Bonding line Ed

Tucked Skirt  
Belt

one sheets  
Fusible interlining  
one sheets

Seam allowance 1/2in.

Bonding line DD

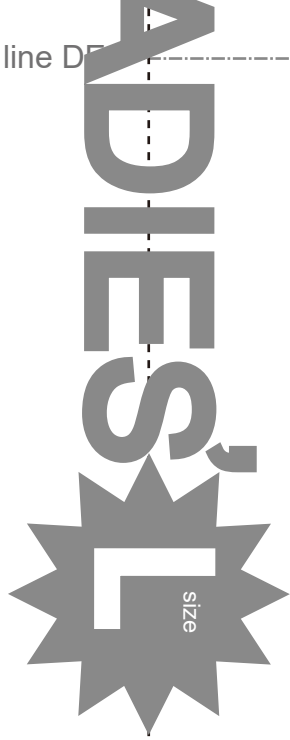
Bonding line DF

LA

Bonding line Ec

Bonding line Fc

Bonding line Df



**DRCOS**  
 SITE <http://dr-cos.info/en/> <http://dr-cos.com/p/>  
 MAIL [info@dr-cos.com](mailto:info@dr-cos.com)  
 Twitter [https://twitter.com/drcoa\\_com](https://twitter.com/drcoa_com)  
 facebook <https://www.facebook.com/drcoscom>

Bonding line Fd