

Bonding line Aa

Bonding line Aa

Bonding line AA

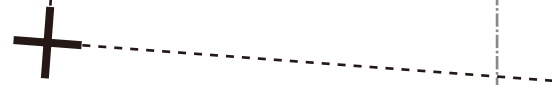
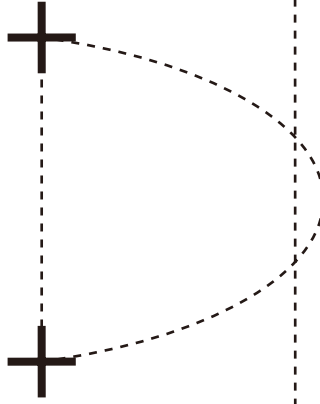
Bonding line Ba

Bonding line AB

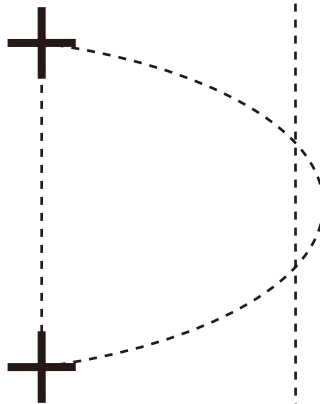
ce



Bonding line AB

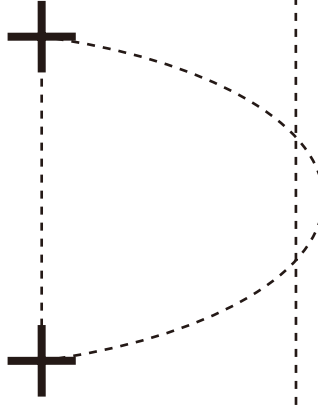


Bonding line Ca

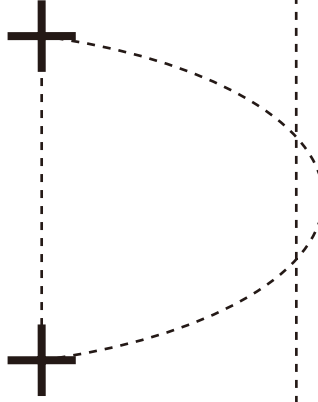


Bonding line AC

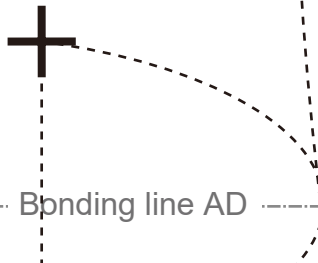
Bonding line AC



Duffle button position



Facing line



Bonding line AD

Center position

Bonding line Da

Bonding line AD



Button position



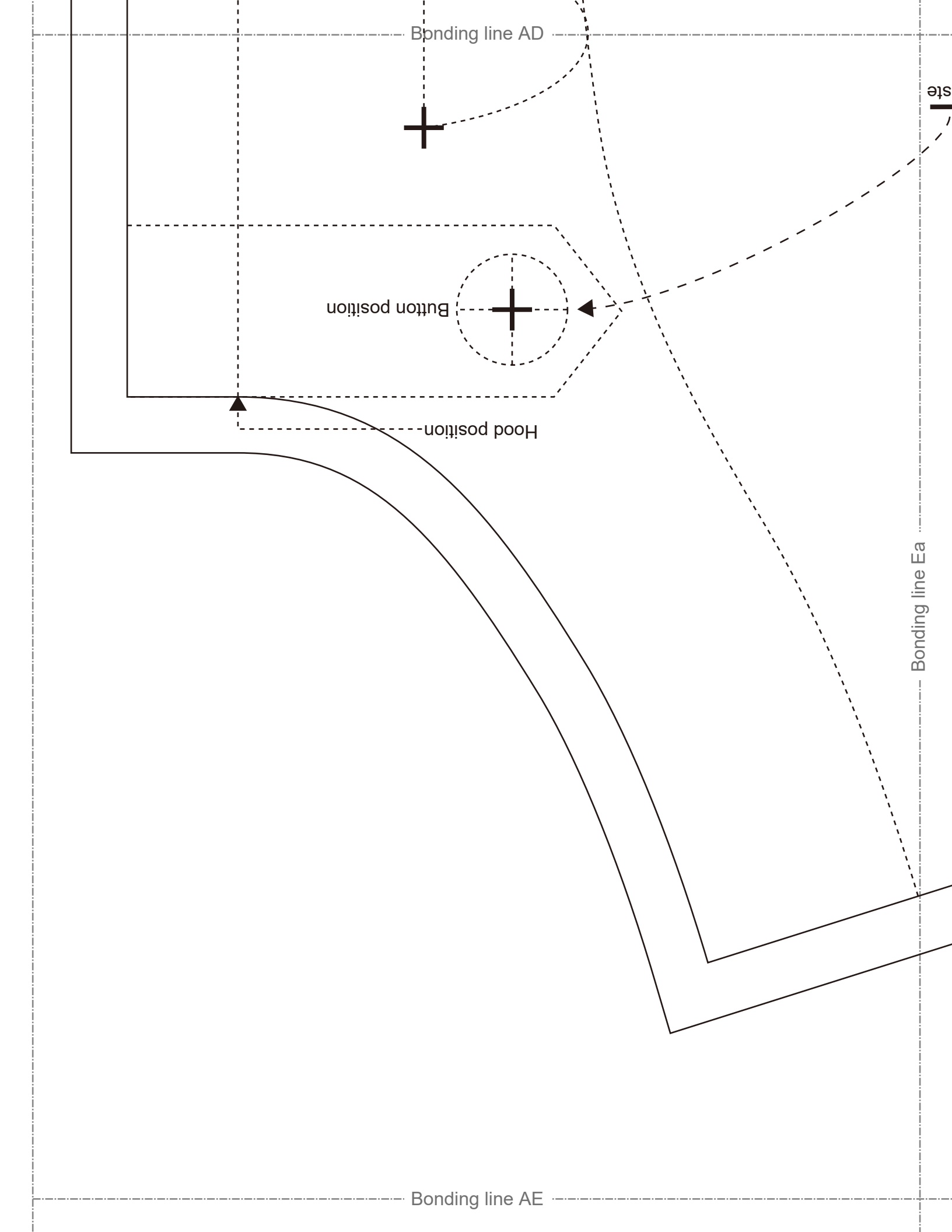
Hood position



Bonding line Ea

Bonding line AE

ste



Dufflecoat
Front Body
two sheets

Bonding line BA

Bonding line Aa

Bonding line Ab

Seam allowance 1/2in.

Dufflecoat
Front Body

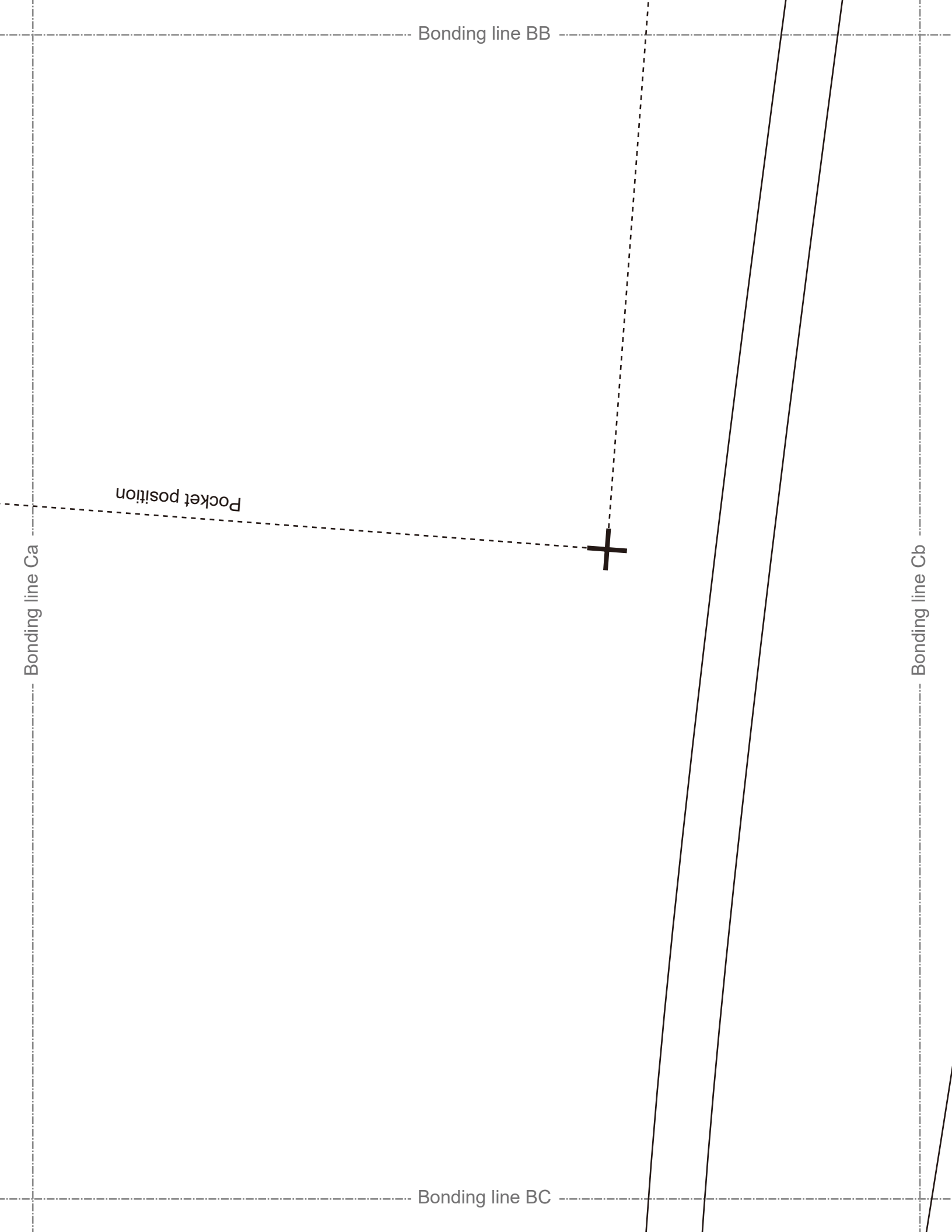
Bonding line BA



Bonding line Ba

Bonding line Bb

Bonding line BB



Bonding line BC

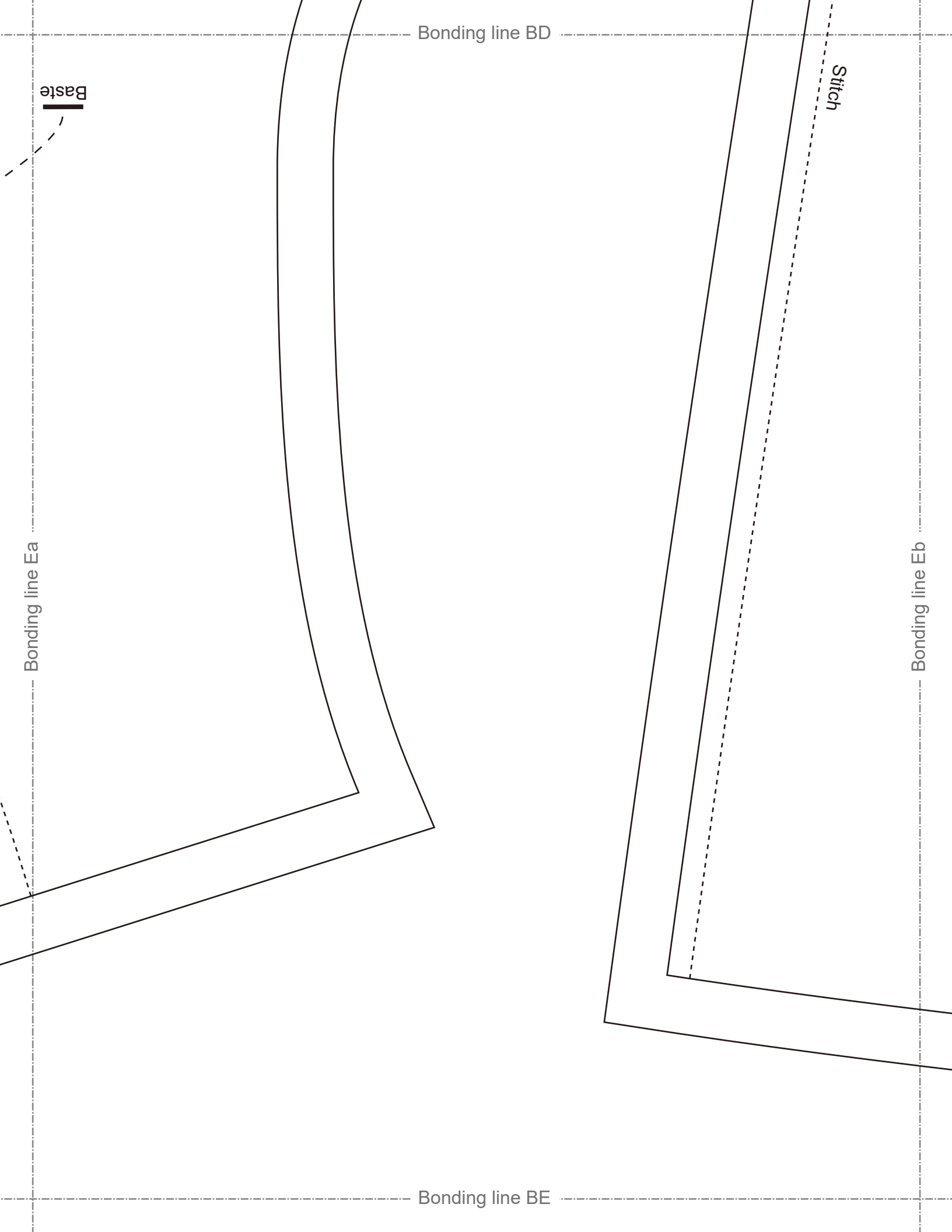


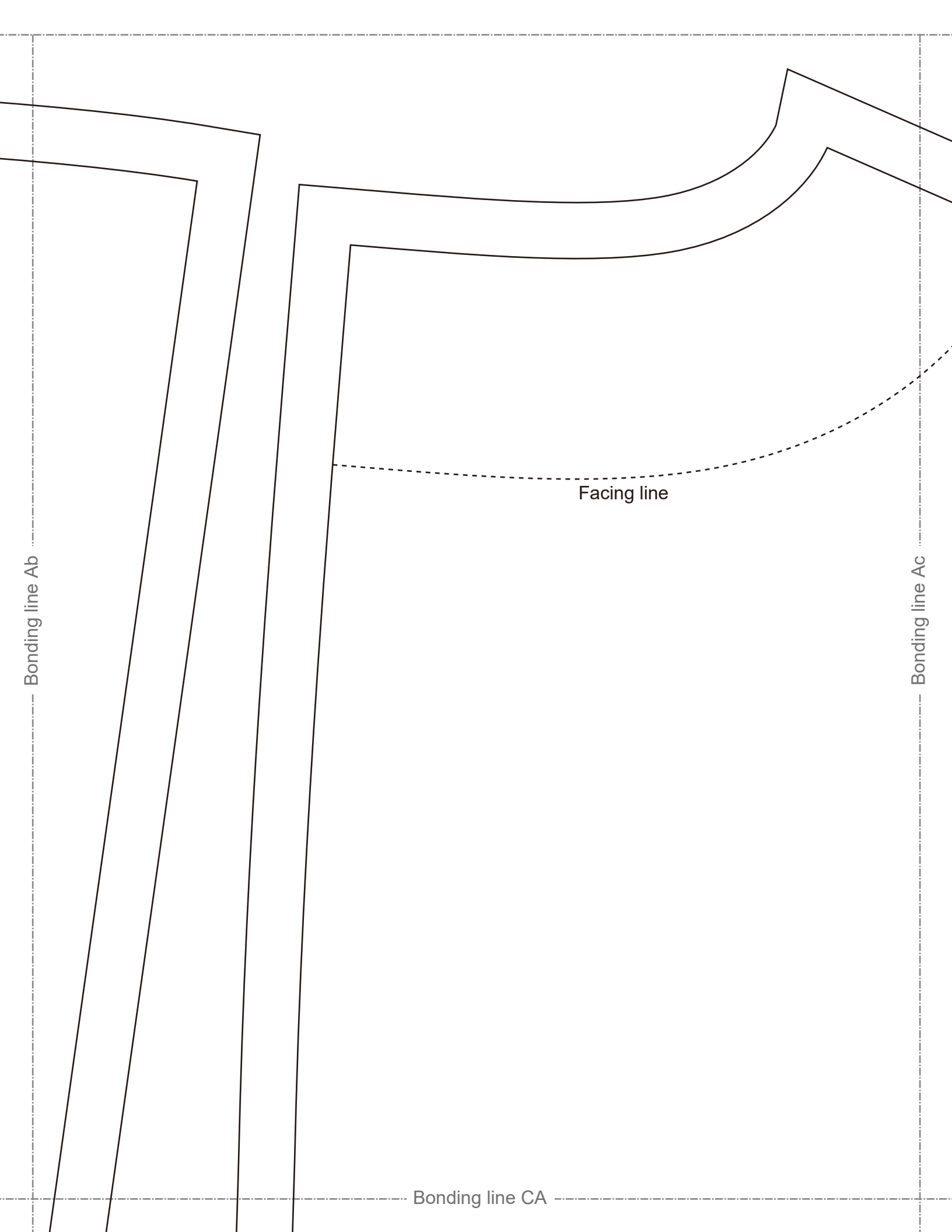
Bonding line Da

Bonding line Db

Bonding line BD

DRCOS
SITE <https://dr-cos.info/en> <https://dr-cos.info>
MAIL info@dr-cos.com
Twitter https://twitter.com/dr-cos_com
Pinterest <https://www.pinterest.jp/drcosinfo>





Bonding line Ab

Bonding line Ac

Bonding line CA

Facing line

Bonding line CA

MENS

Bonding line Bb

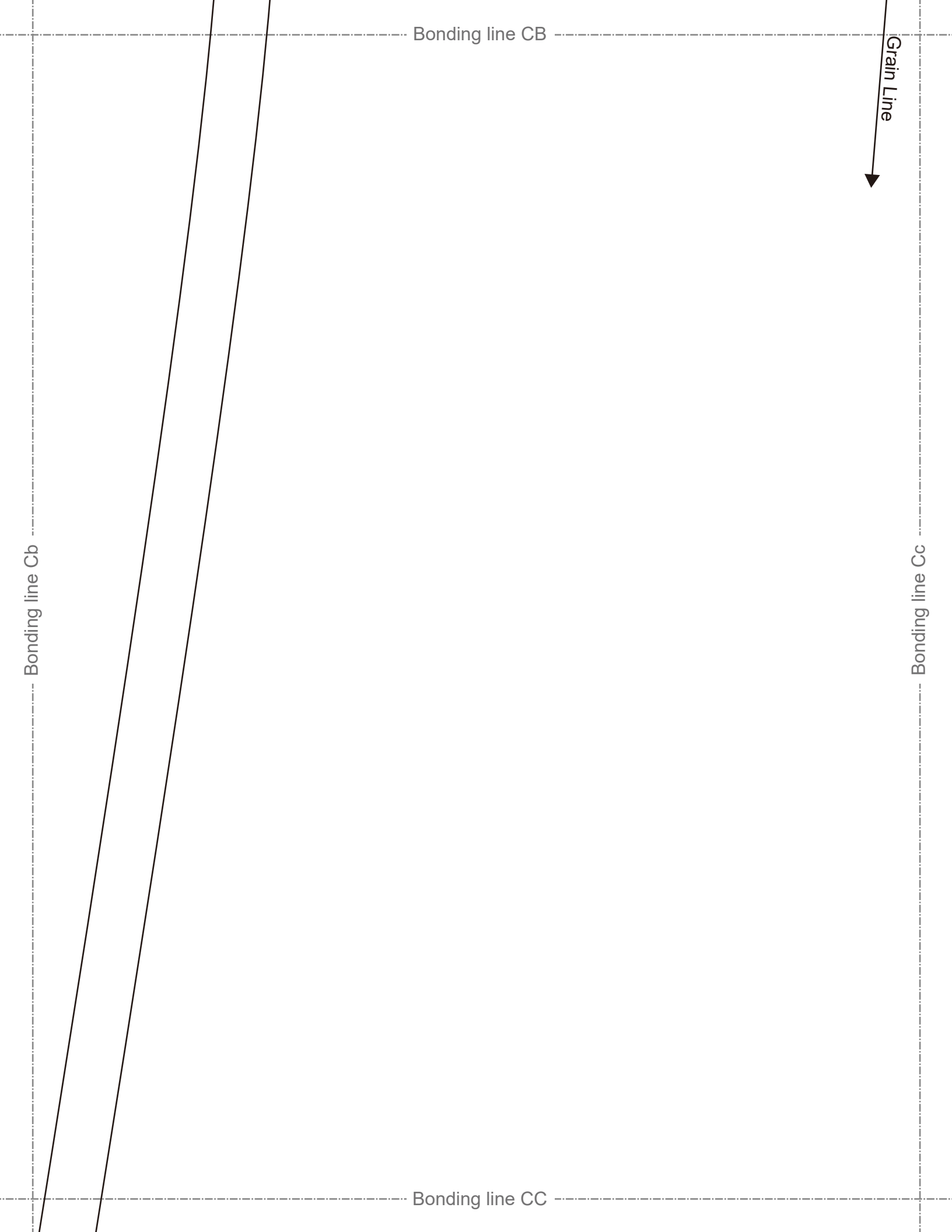
Bonding line Bc

Duffleco
Back Bo
two shee

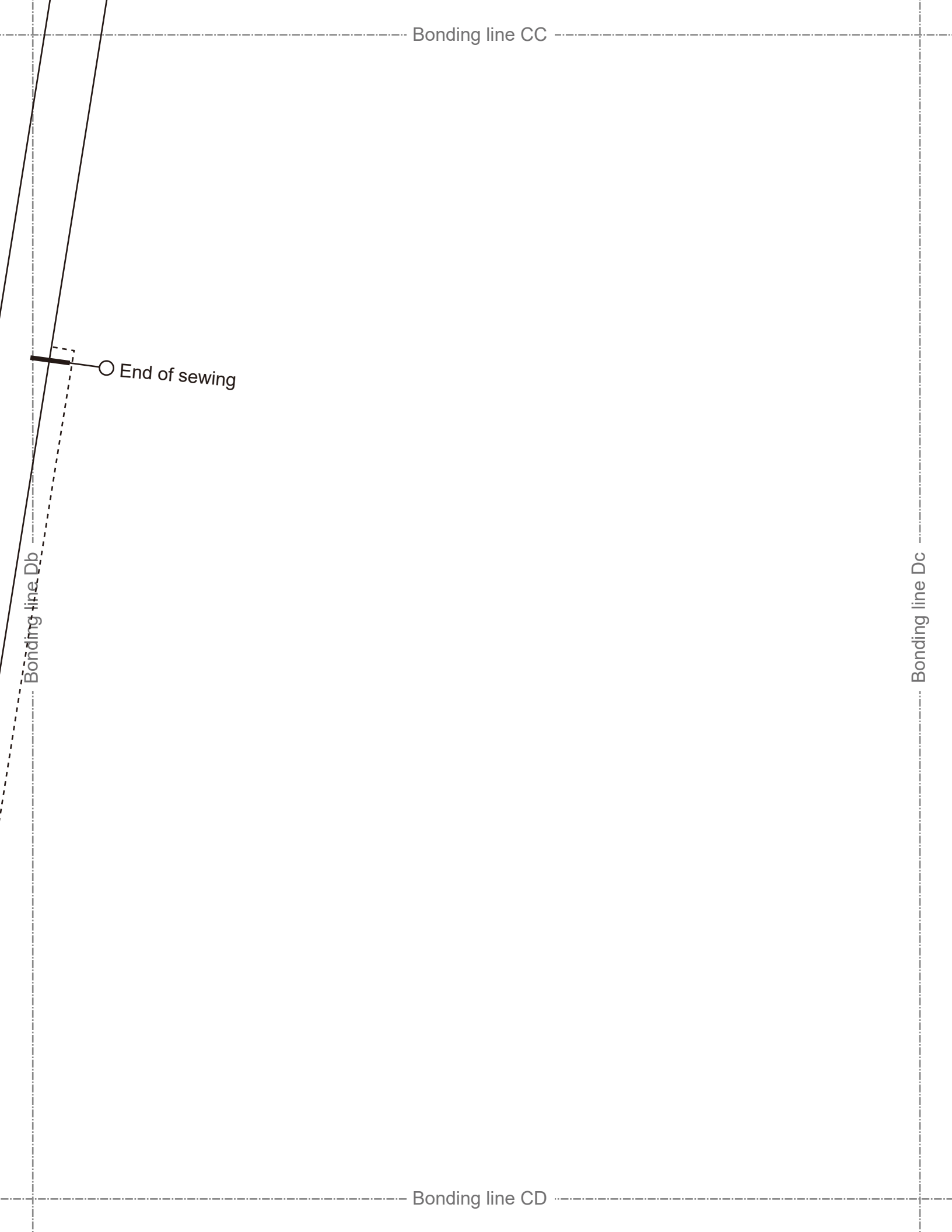
Bonding line CB



Gra



Bonding line CC



End of sewing

Bonding line Db

Bonding line Dc

Bonding line CD

Bonding line CD

Bonding line Eb

Bonding line Ec

Seam allowance 1/2in.

Bonding line CE



DRCOS

SITE [https://dr-cos.info\(en\)](https://dr-cos.info/en) [https://dr-cos.com\(jp\)](https://dr-cos.com/jp)
MAIL info@dr-cos.com
Twitter https://twitter.com/drcos_com
pinterest <https://www.pinterest.jp/drcosinfo>

Bonding line Ac

Bonding line Ad

Bonding line DA

Bonding line DA



Bonding line Bc

lecoat
k Body
sheets

Bonding line Bd

Bonding line DB

Gra

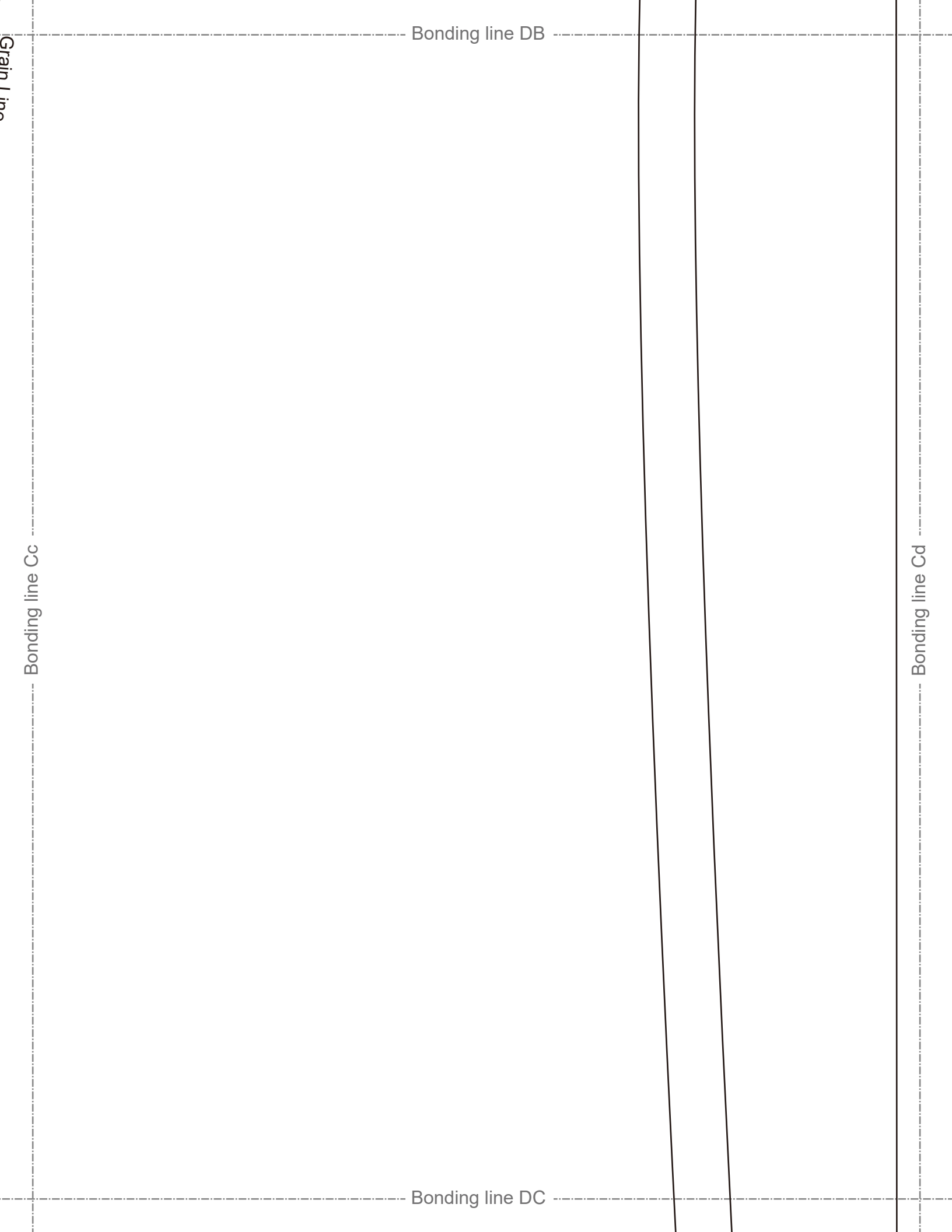
Grain / ins

Bonding line DB

Bonding line Cc

Bonding line Cd

Bonding line DC



Bonding line DC

Bonding line Dc

Bonding line Dd

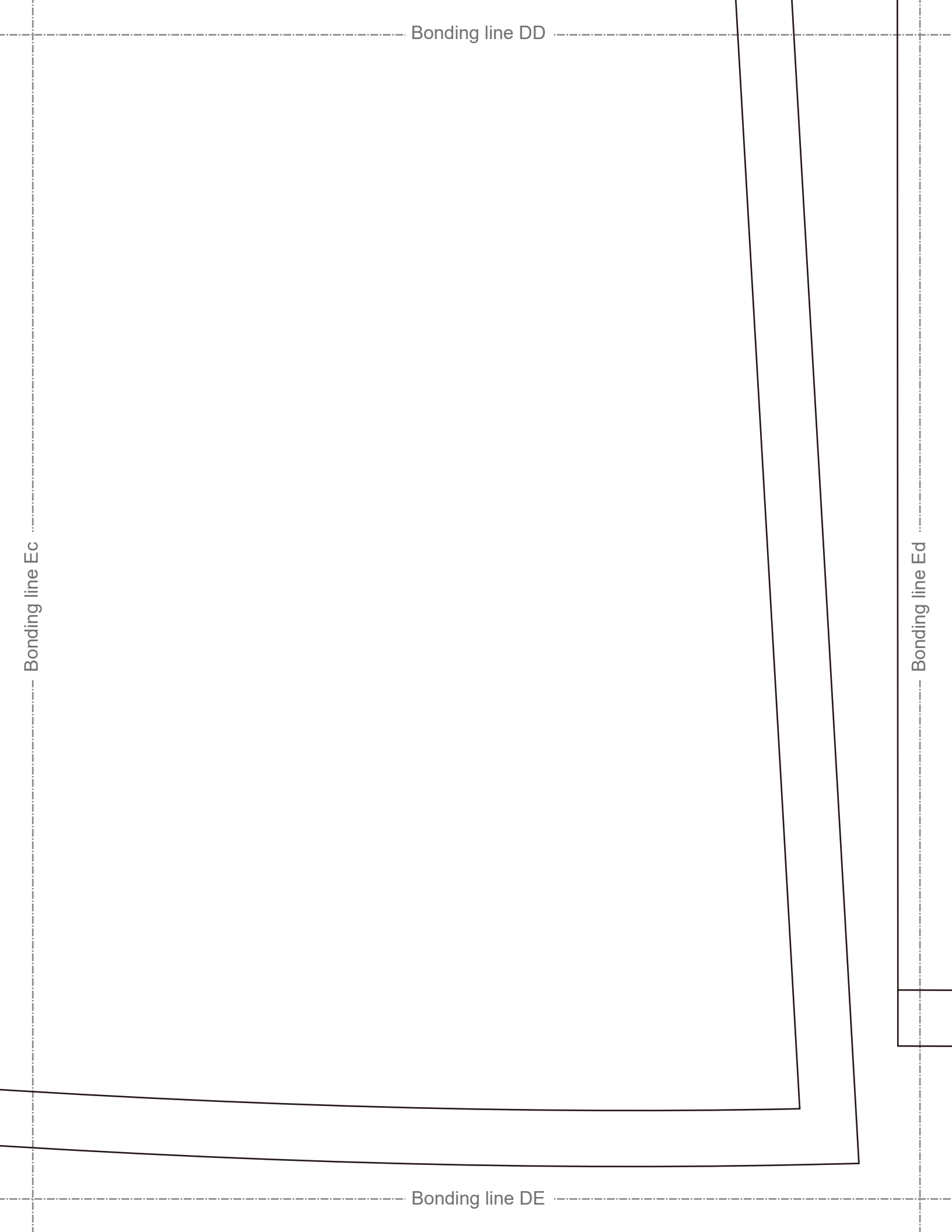
Bonding line DD

Bonding line DD

Bonding line Ec

Bonding line Ed

Bonding line DE



Bonding line Ad

Bonding line Ae

DRCOS

SITE [https://dr-cos.info\(en\)](https://dr-cos.info(en)) [https://dr-cos.com\(jp\)](https://dr-cos.com(jp))
MAIL info@dr-cos.com
Twitter https://twitter.com/drcos_com
pinterest <https://www.pinterest.jp/drcosinfo>

Bonding line EA

MEN'S

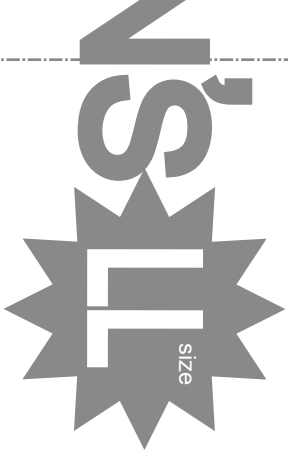
Bonding line Bd

Bonding line EA

Bonding line Be

Front

Bonding line EB



Dufflecoat
Facing
Fusible interlining
two sheets

Bonding line EB

Bonding line EC

Seam allowance 1/2in.

Bonding line Cd

Bonding line Ce

Line 

Bonding line Dd

Bonding line EC

Grain Line



Bonding line De

Bonding line ED

SITE <https://dr-cos.info/en> <https://dr-cos.com.jp>
MAIL info@dr-cos.com
Twitter <https://twitter.com/dr-cos> [@dr-cos](mailto:info@dr-cos.com) [info](mailto:info@dr-cos.com)
Pinterest <https://www.pinterest.jp/dr-cos/info>

Bonding line Ed

Bonding line ED

DRCOS
SITE <https://dr-cos.info/en> <https://dr-cos.com/jp>
MAIL info@dr-cos.com
Twitter <https://twitter.com/dr-cos.com>
Pinterest <https://www.pinterest.jp/drcosinfo>

Seam allowance 1in.

DRCOS
SITE <https://dr-cos.info/en> <https://dr-cos.com/jp>
MAIL info@dr-cos.com
Twitter [@drcos_com](https://twitter.com/@drcos_com)
Pinterest <https://www.pinterest.jp/drcosinfo>

Bonding line Ed

Bonding line EE

Seam allowance 1/2in.

Bonding line Ae

Bonding line Af

Bonding line FA

Grain Line



Bonding line FA

Grain



Dufflecoat
Sleeve
two sheets



Bonding line FB

Bonding line Be

Bonding line Bf

Bonding line FB

Bonding line Ce

Bonding line Cf

DRCOS
SITE <https://drcos.info/en> <https://drcos.com/jp>
MAIL info@drcos.com
Twitter https://twitter.com/drcos_com
Pinterest <https://www.pinterest.jp/drcosinfo>

Seam allowance 1/2in.

Line

Bonding line FC

Grain Line

Bonding line FC

Bonding line De

Bonding line Df

Bonding line FD

Dufflecoat
Hood
two sheets



Bonding line Ea

Bonding line FD

MEN'S ^{size} IT!

Dufflecoat
Pocket
two sheets



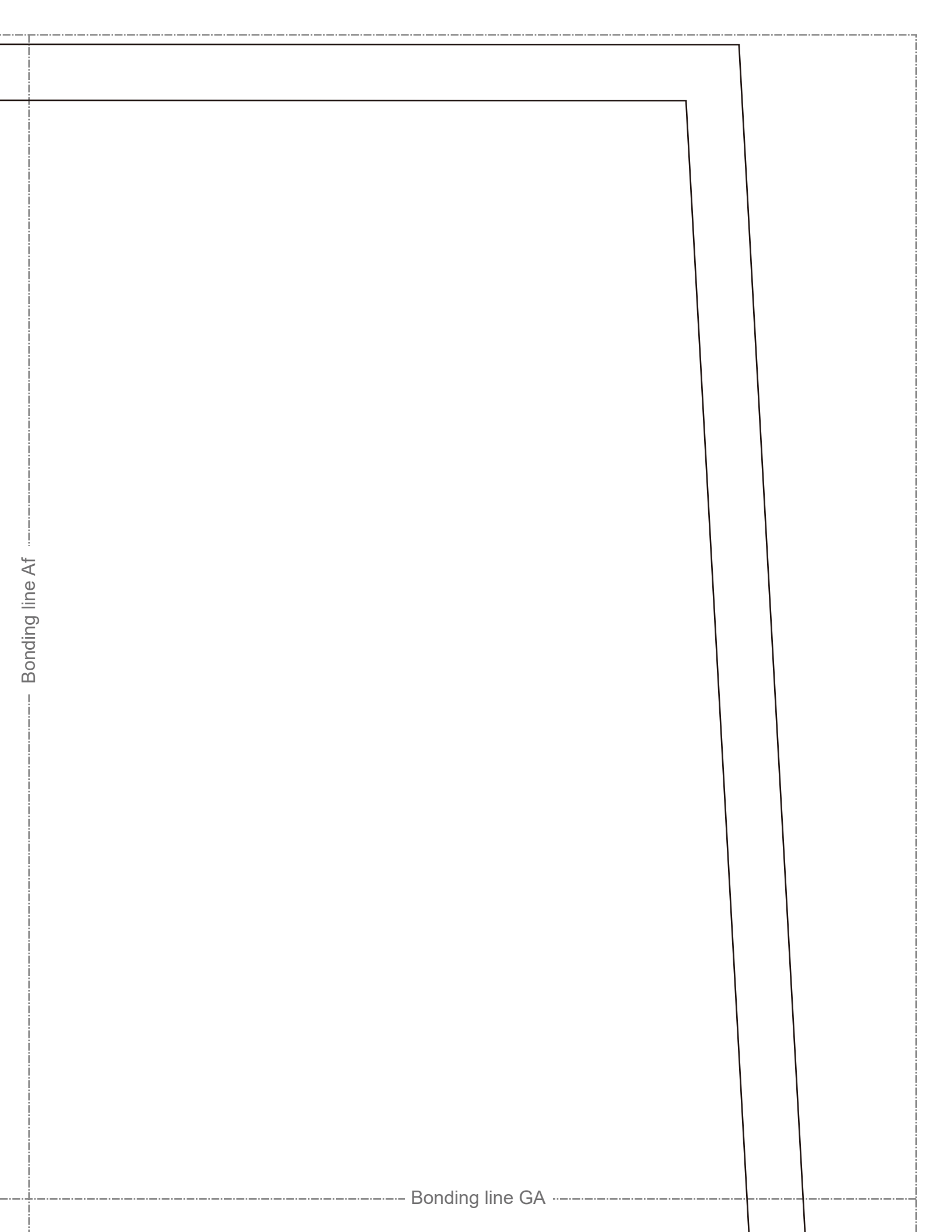
Seam allowance 1/2in.

Bonding line Ef

Bonding line FE

Bonding line Af

Bonding line GA



Bonding line GA

Bonding line Bf

Back

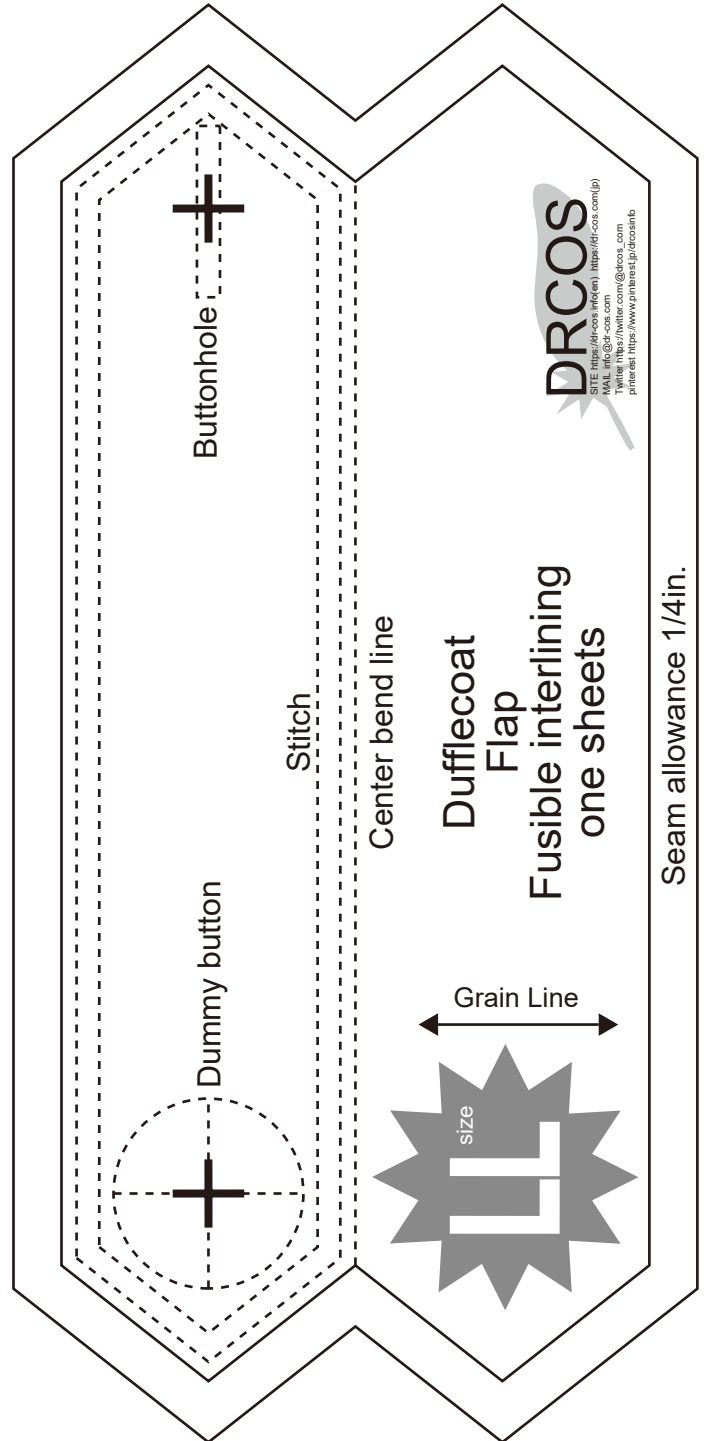
Bonding line GB



Bonding line GB

Bonding line Cf

Bonding line GC



DRCOS

SITE <https://dri-cos.info/en/> <https://dri-cos.com/gp/>
MAIL info@dri-cos.com
PHONE [+390512541111](tel:+390512541111)
FAX [+390512541112](tel:+390512541112)
WEB <https://www.dri-cos.com>

Bonding line Df

Bonding line GC

Bonding line GD

Seam allowance 1/2in.



Dufflecoat
Facing
Fusible interlining
two sheets

DRCOS
 SITE: <https://drcos.com>
 Email: info@drcos.com
 Phone: <https://www.drcos.com>



SITE <https://dr-cos.info/en> <https://dr-cos.com/jp>
MAIL info@dr-cos.com
TWITTER https://twitter.com/dr-cos_com
PINTEREST <https://www.pinterest.jp/drcosinfo>



Center bend line

Bonding line GD

Grain Line



Bonding line GE

ng

Bonding line Ef

Bonding line Ff

Bonding line GE

MEN'S

Grain Line

Dufflecoat
Cuff
Fusible interlining
two sheets

Seam allowance 1/2in.