

Bonding line AA

Bonding line Aa

Grain Line

Bonding line AA

Seam allowance 1/2in.

Bonding line Ba

Bonding line AB



Bonding line AB

DRCOS
SITE <http://dr-cos.info/en/> | <http://dr-cos.com/p/>
MAIL info@dr-cos.com
Twitter https://twitter.com/drcos_com
facebook <https://www.facebook.com/drcoscom>

Bonding line Ca

Seam

Bonding line AC

Grain Line



Bonding line AC

Bonding line Da

Bonding line AD

Seam allowance 1/2in.



DRCOS
SITE <http://dr-cos.info/en> <http://dr-cos.com/jp>
MAIL info@dr-cos.com
Twitter https://twitter.com/dr-cos_com
facebook <https://www.facebook.com/drcoscom>

MEN'S

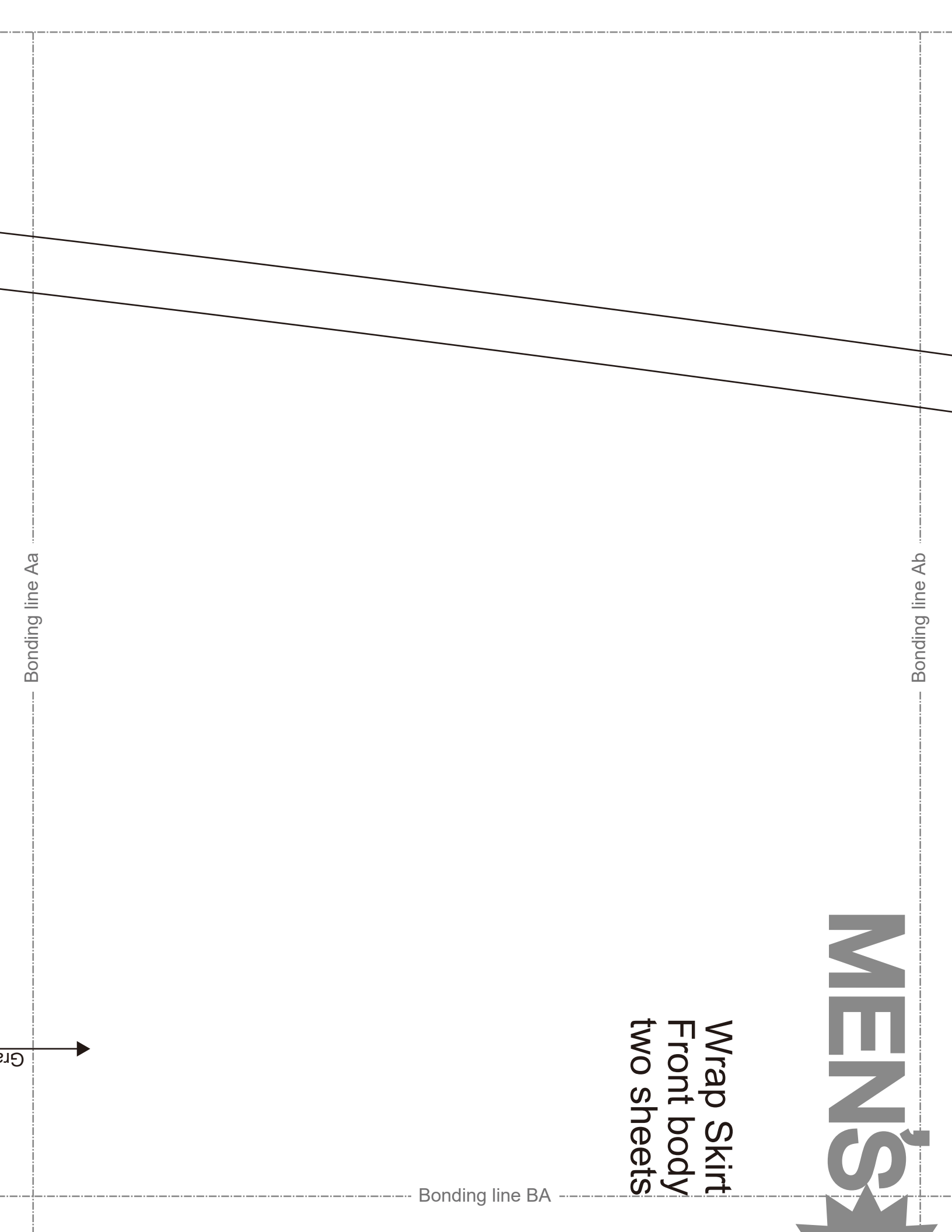
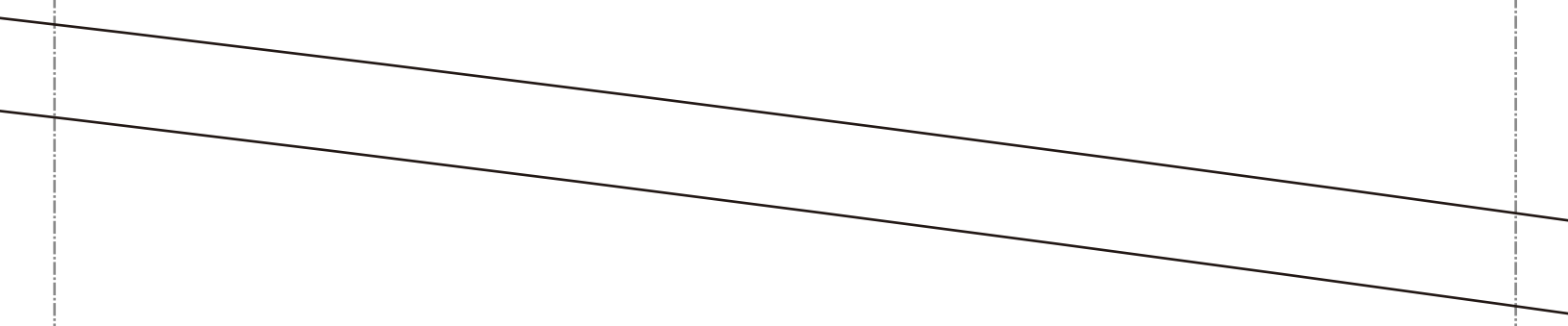
Wrap Skirt
Front body
two sheets

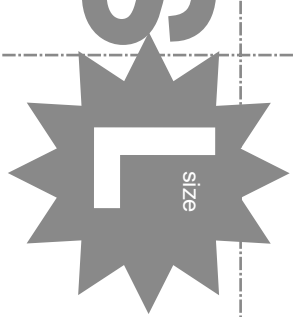
Bonding line BA

Bonding line Aa

Bonding line Ab

Gr





its
dy
irt

Bonding line BA

Bonding line Ba

Bonding line Bb

Bonding line BB

Bonding line BB

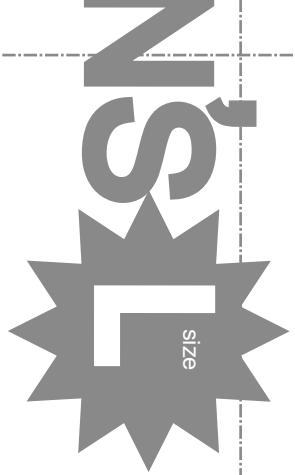
Bonding line Ca

Bonding line Cb

MEN'S

Wrap S
Back b
two sha

Bonding line BC



cap Skirt
ck body
o sheets

Bonding line BC

Bonding line Db

Bonding line Da

Bonding line BD



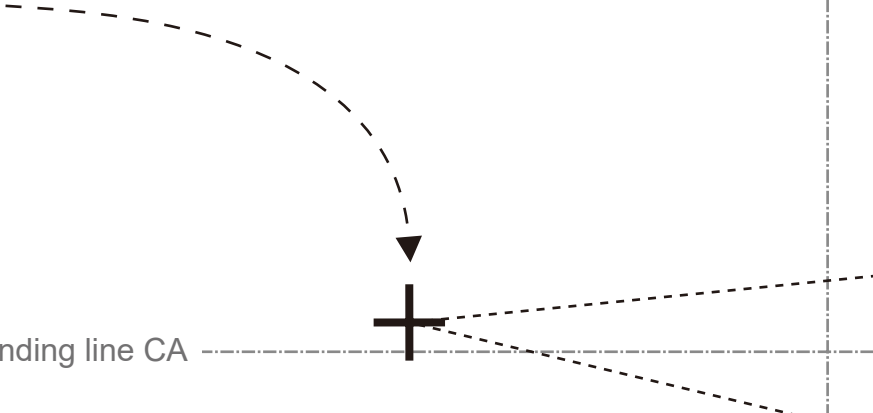
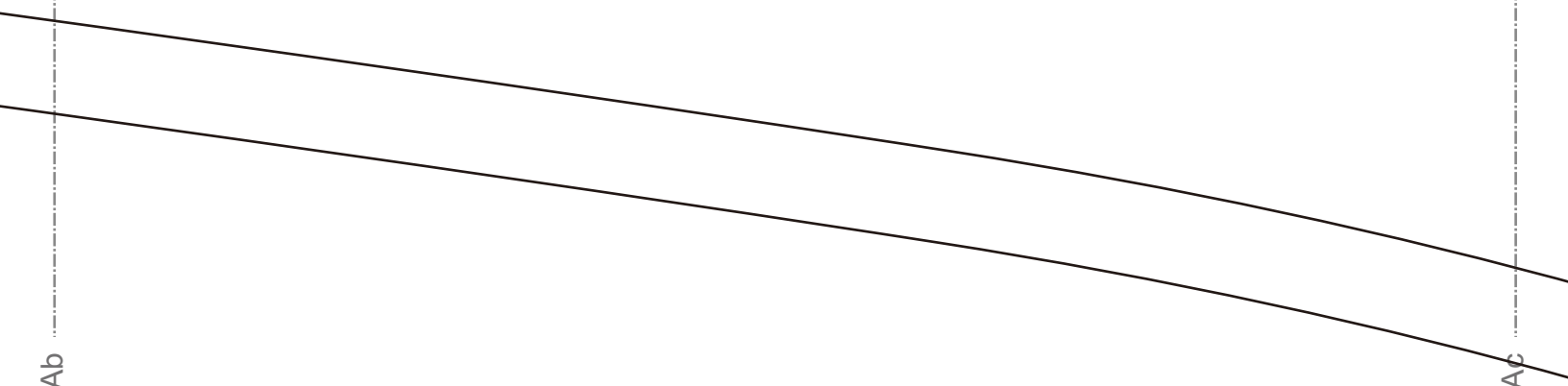
FOR
INFORMATION

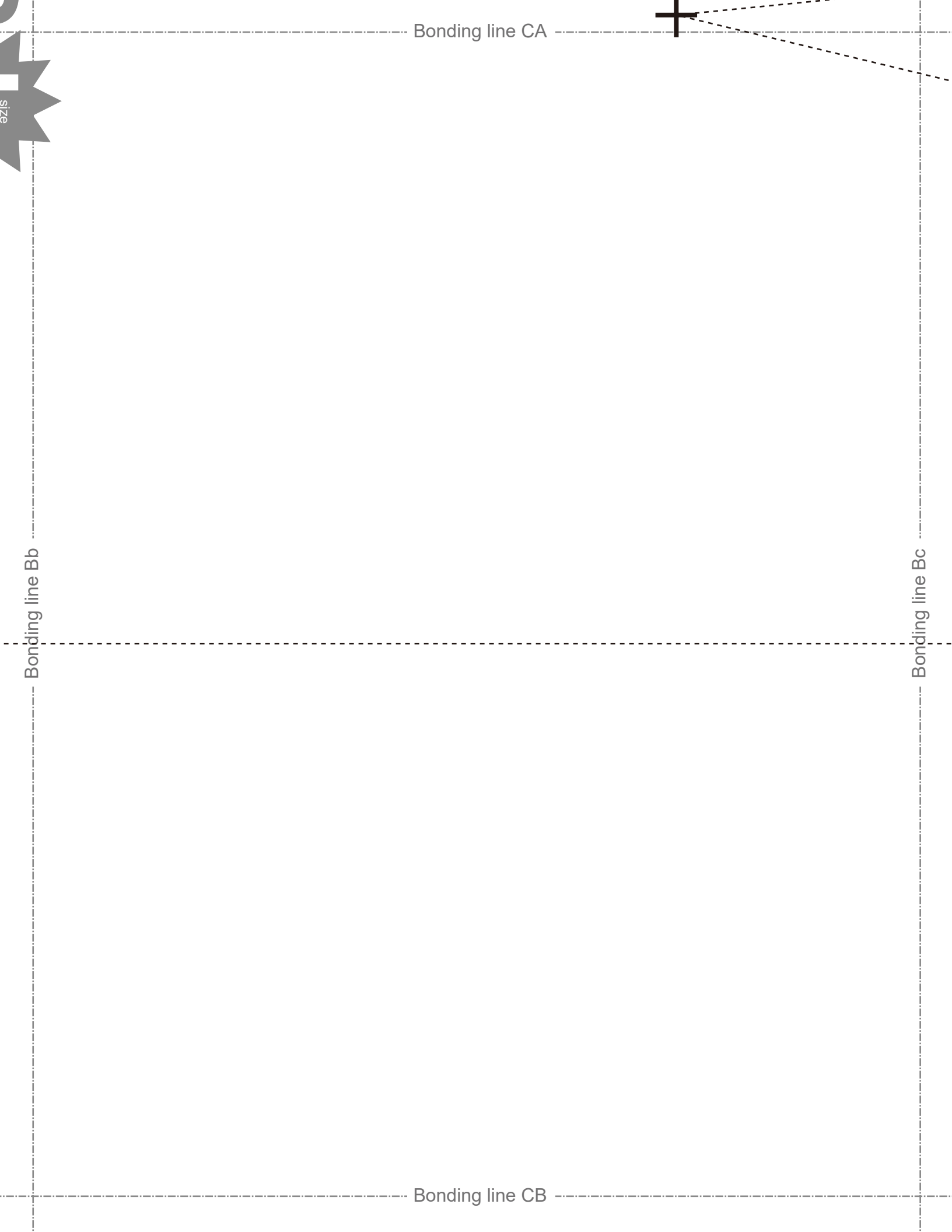
Bonding line Ab

Bonding line Ac

Baste

Bonding line CA





Bonding line CA

size

Bonding line Bb

Bonding line Bc

Bonding line CB

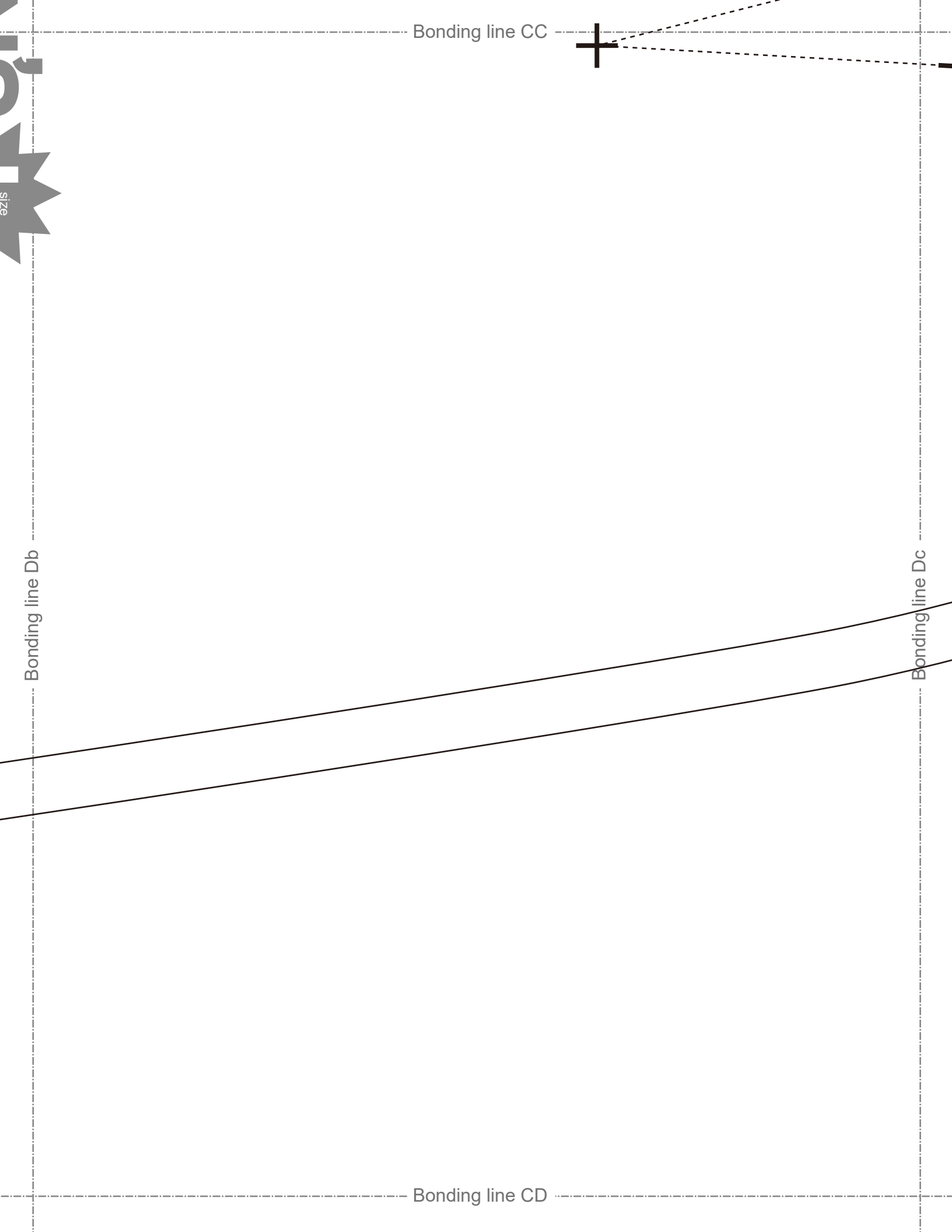
Bonding line CB

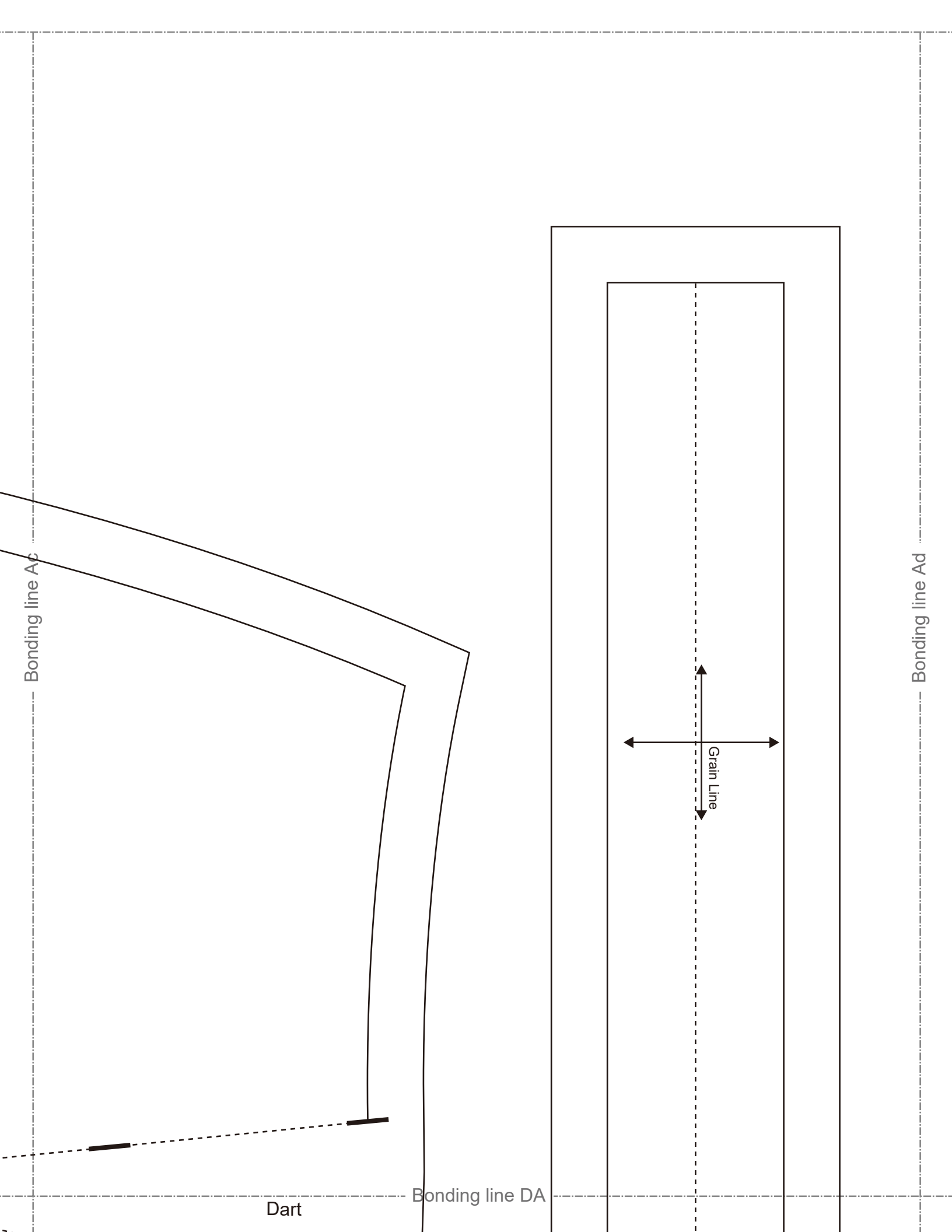
Bonding line Cb

Bonding line Cc

Bonding line CC







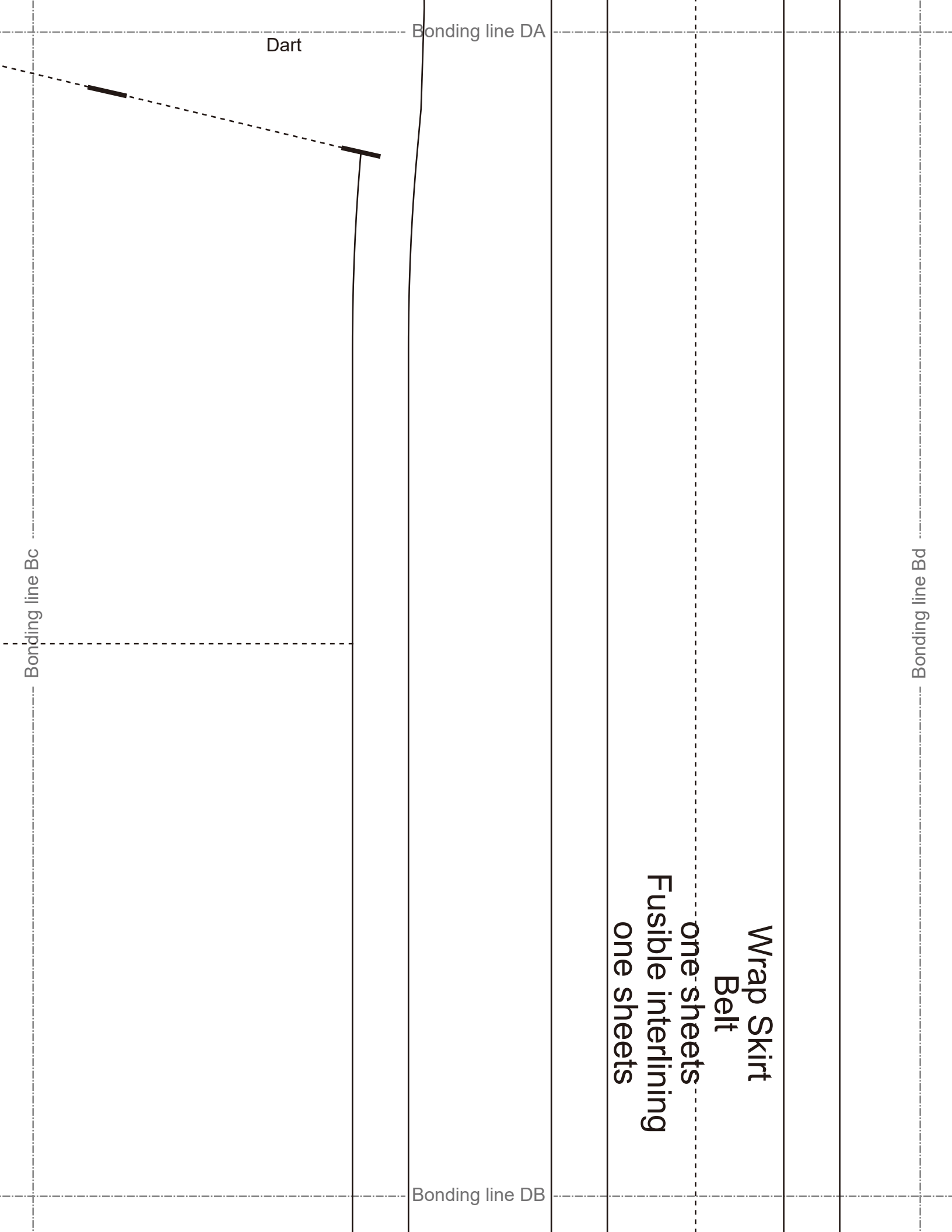
Bonding line Ac

Dart

Bonding line DA

Grain Line

Bonding line Ad



Bonding line Bc

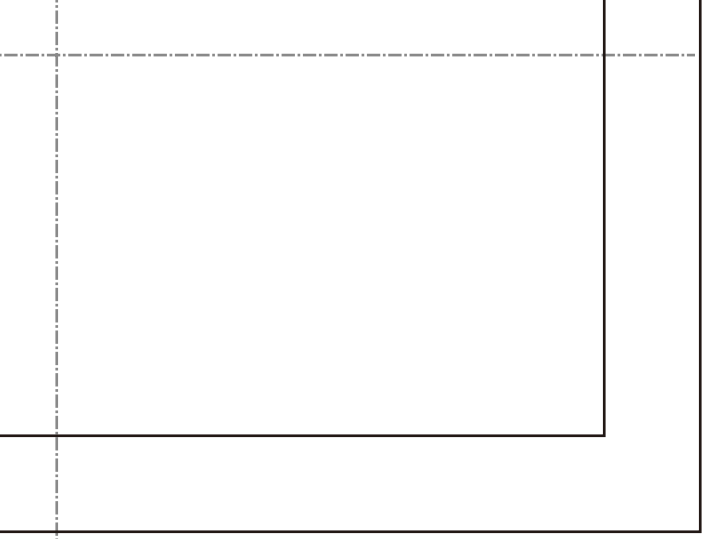
Dart

Bonding line DA

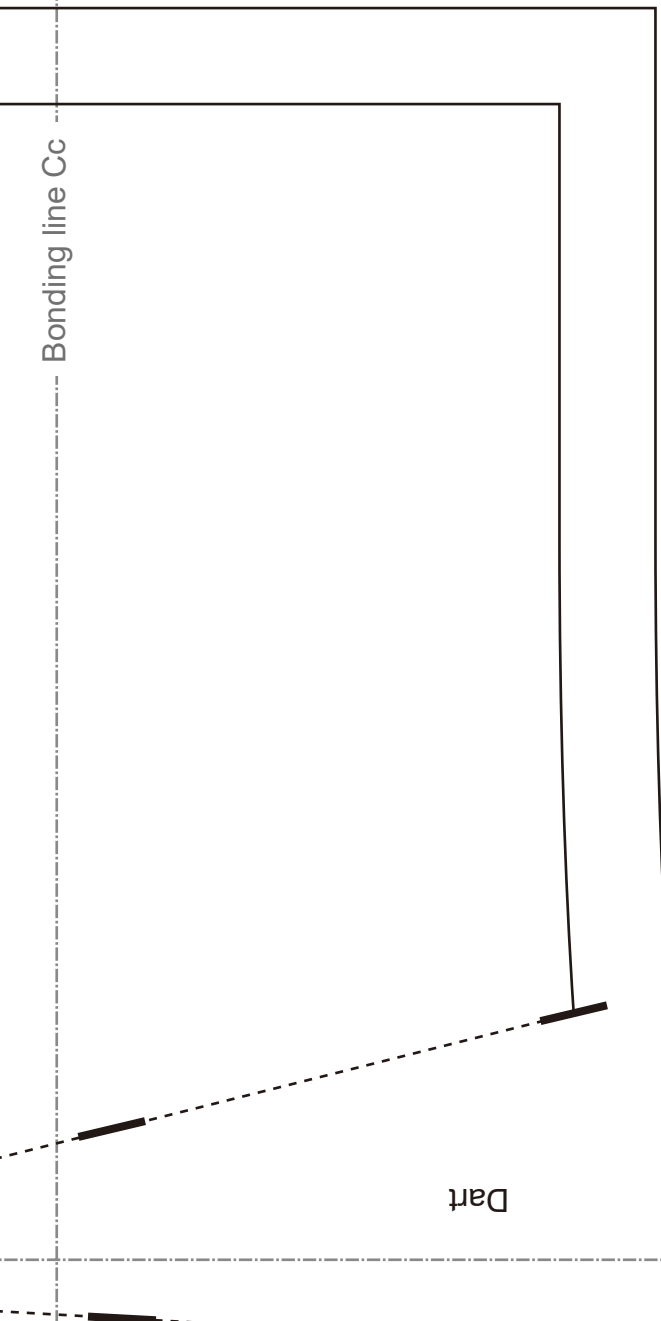
Bonding line DB

Bonding line Bd

Wrap Skirt
Belt
Fusible interlining
one sheets
one sheets



Bonding line DB



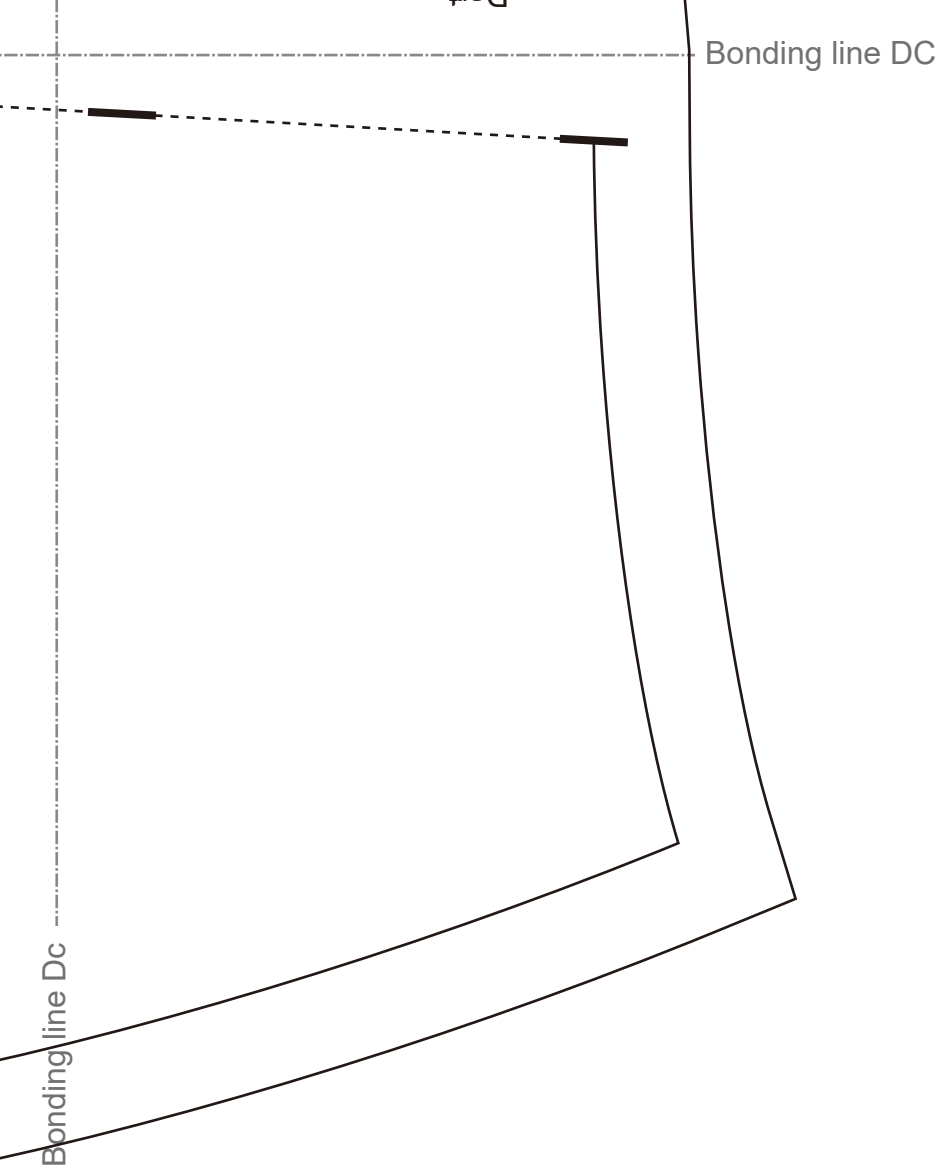
Bonding line Cc

Dart

Bonding line DC

Seam allowance 1/2in.

Bonding line Cd



MEN'S
SIZE

Bonding line Dd

Bonding line Ec

Bonding line DD

Bonding line Ed

Bonding line DE

