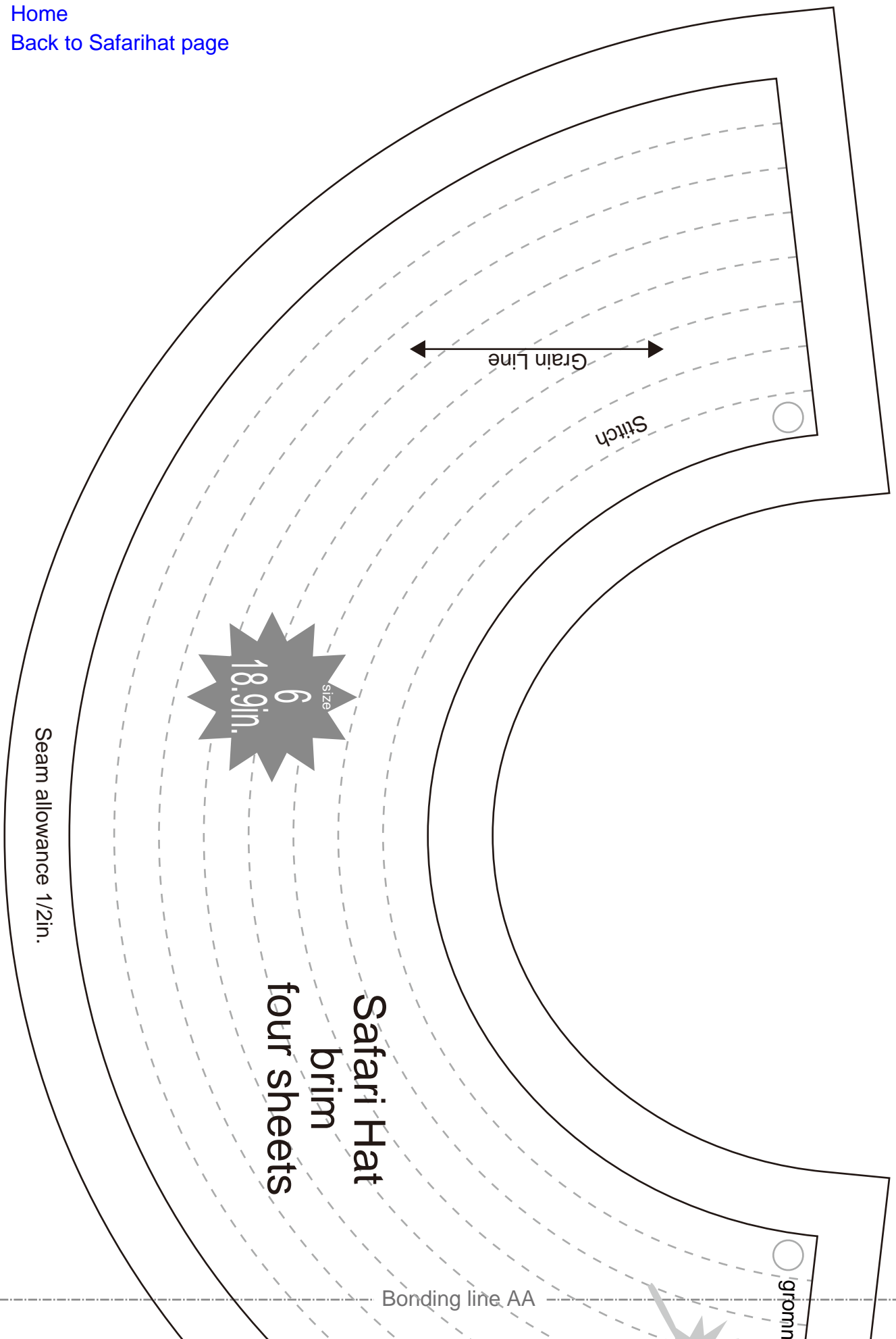


[Home](#)

[Back to Safarihat page](#)



Seam allowance 1/2in.

size 6
18.9in.

Safari Hat
brim
four sheets

Grain Line

Stitch

Bonding line AA

grommet

Bonding line Aa

grommet

DRCOS
SITE <http://www.dr-cos.info>
MAIL info@dr-cos.com
Twitter <https://twitter.com/dr-cos>
facebook <https://www.facebook.com/drcoscom>

Bonding line AA

Bonding line Ba

Bonding line AB

Grommet



Loop(Belt) B

Safari Hat
side
two sheets

Loop(Belt) A

Seam allowance 1/2in.

Grain Line

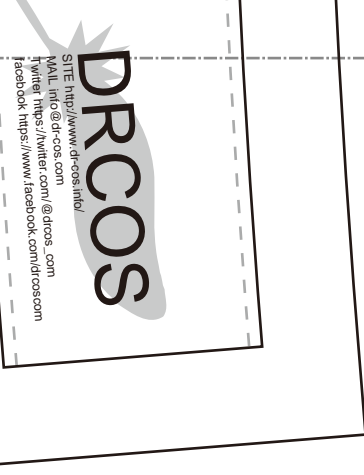
Safari Hat
Belt
two sheets

Grain Line

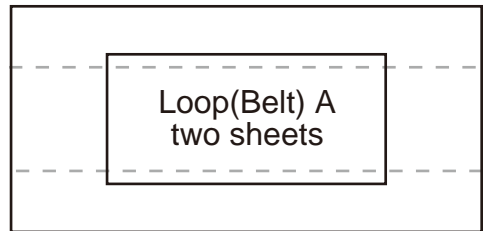
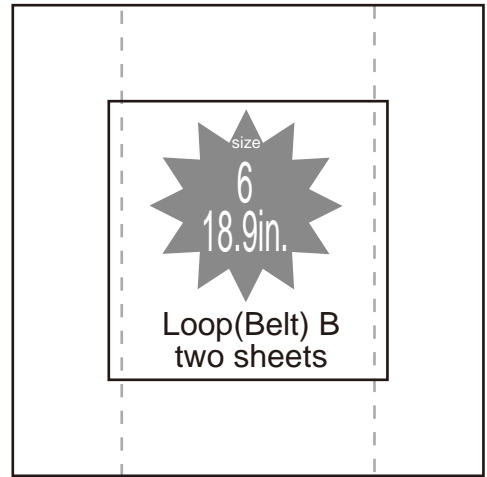
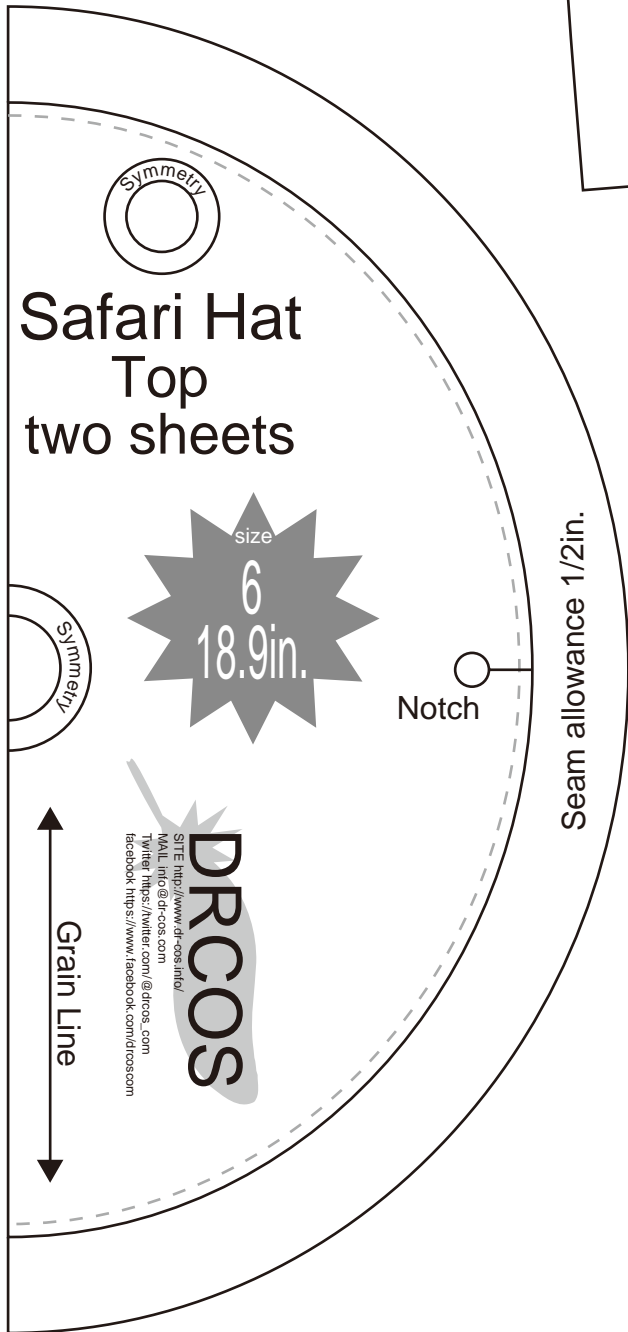
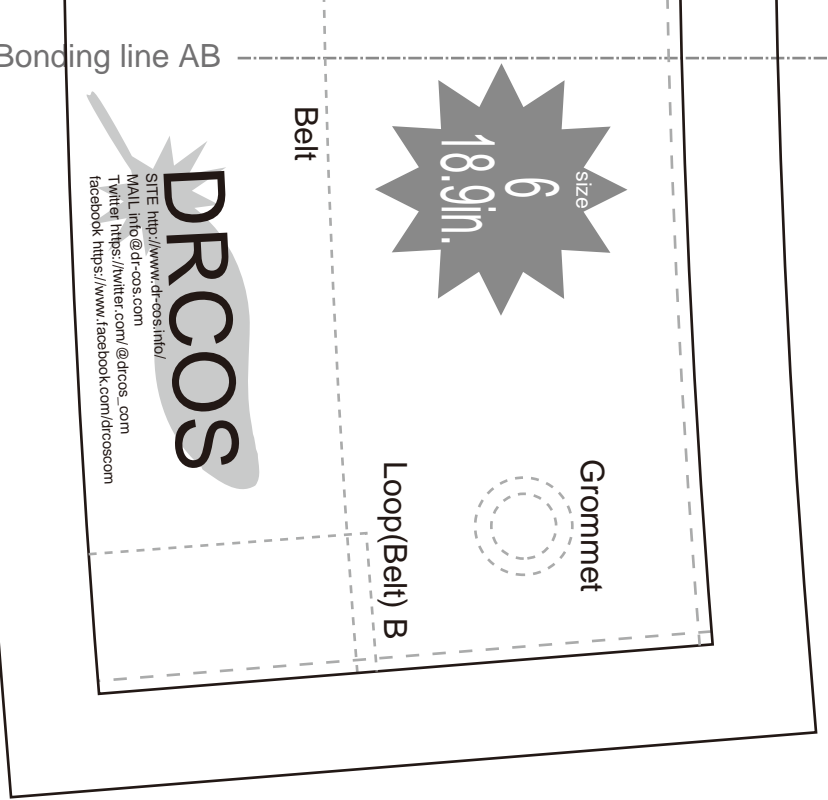


Seam allowance 1/2in.

DR
SITE <http://www.dr-cos.info>
MAIL info@dr-cos.com
Twitter <https://twitter.com/dr-cos>
facebook <https://www.facebook.com/drcoscom>



Bonding line AB



Bonding line AC

Bonding line Ca