

SITE <http://dr-cos.info/en> <http://dr-cos.com/jp>
MAIL info@dr-cos.com
Twitter https://twitter.com/dr-cos_com
facebook <https://www.facebook.com/drcoscom>

DRCOS

allowance 1/2in.

Bonding line Aa

Bonding line AA

Bonding line AA

Bonding line Ba

Bonding line AB

Bonding line AB

Bonding line AC

Bonding line Ca

Bonding line AC

Bonding line AD

Bonding line Da

Bonding line AD

inside
Body
o sheets



Bonding line AE

Bonding line AE

Bonding line AE

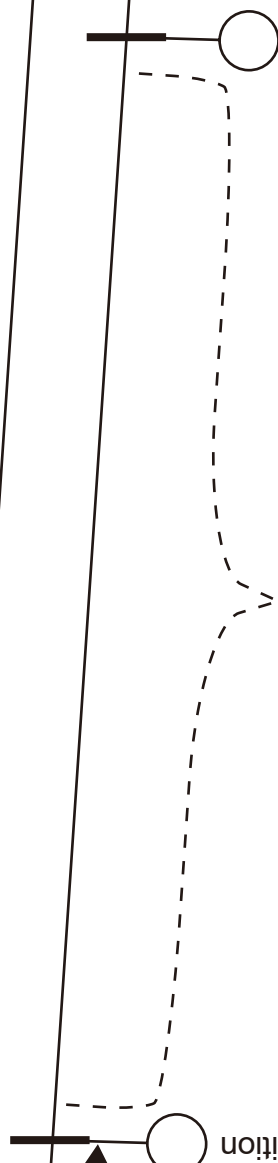
Seam stop position

No sewing

Sleeve position

Bonding line AF

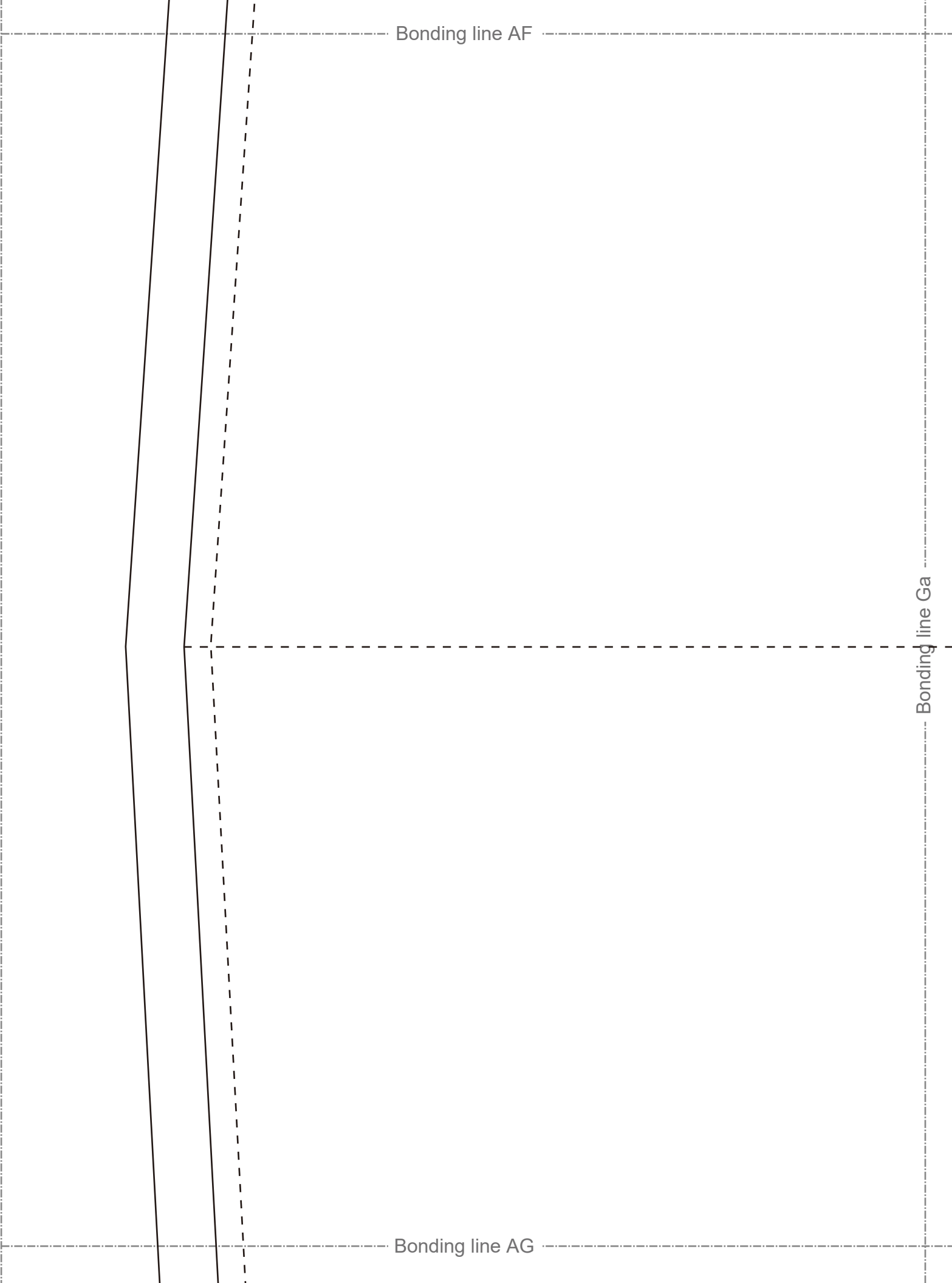
Bonding line Fa



Bonding line AF

Bonding line AG

Bonding line Ga



Bonding line AG

Bonding line Ha

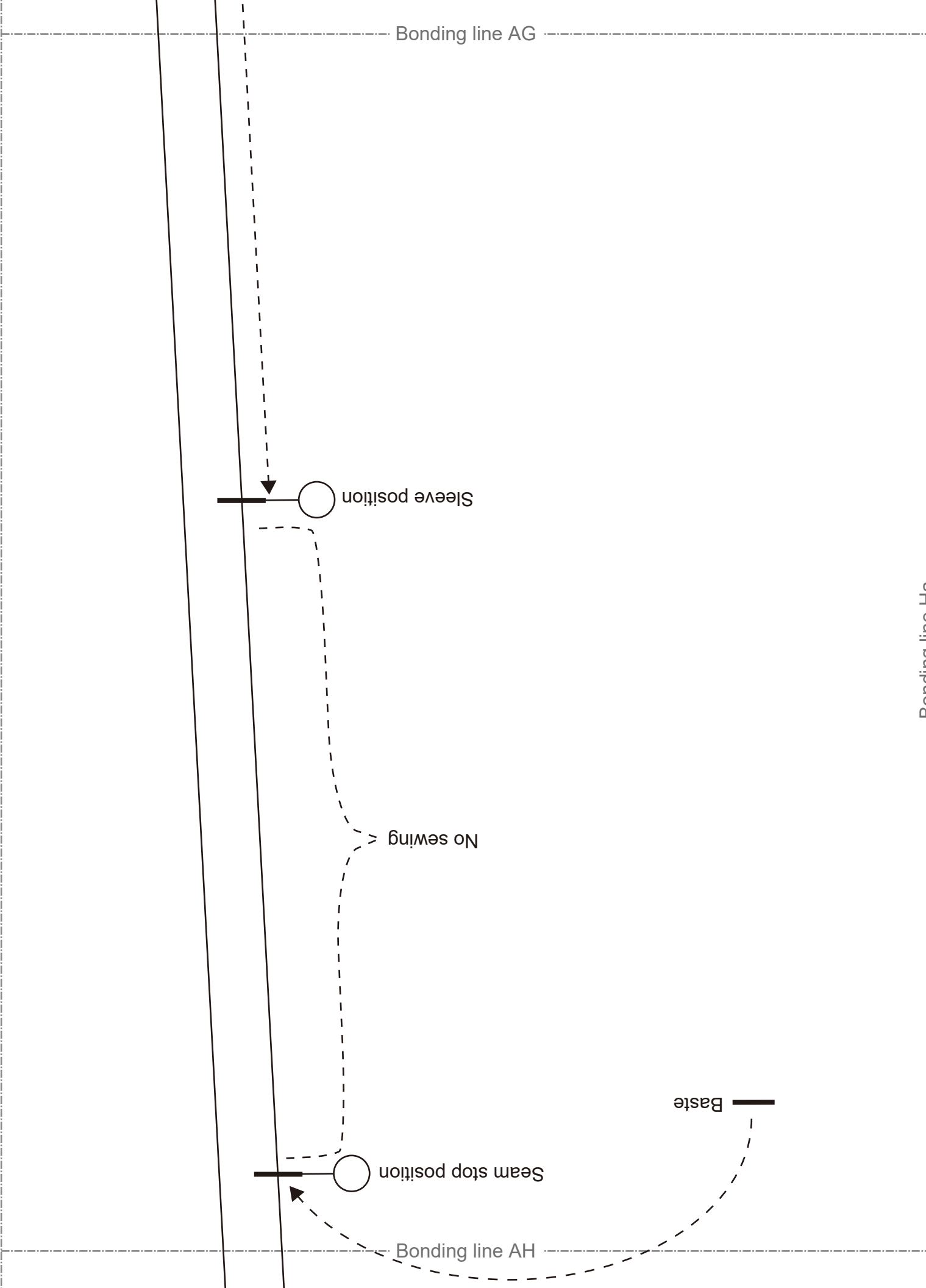
Sleeve position

No sewing

Seam stop position

Baste

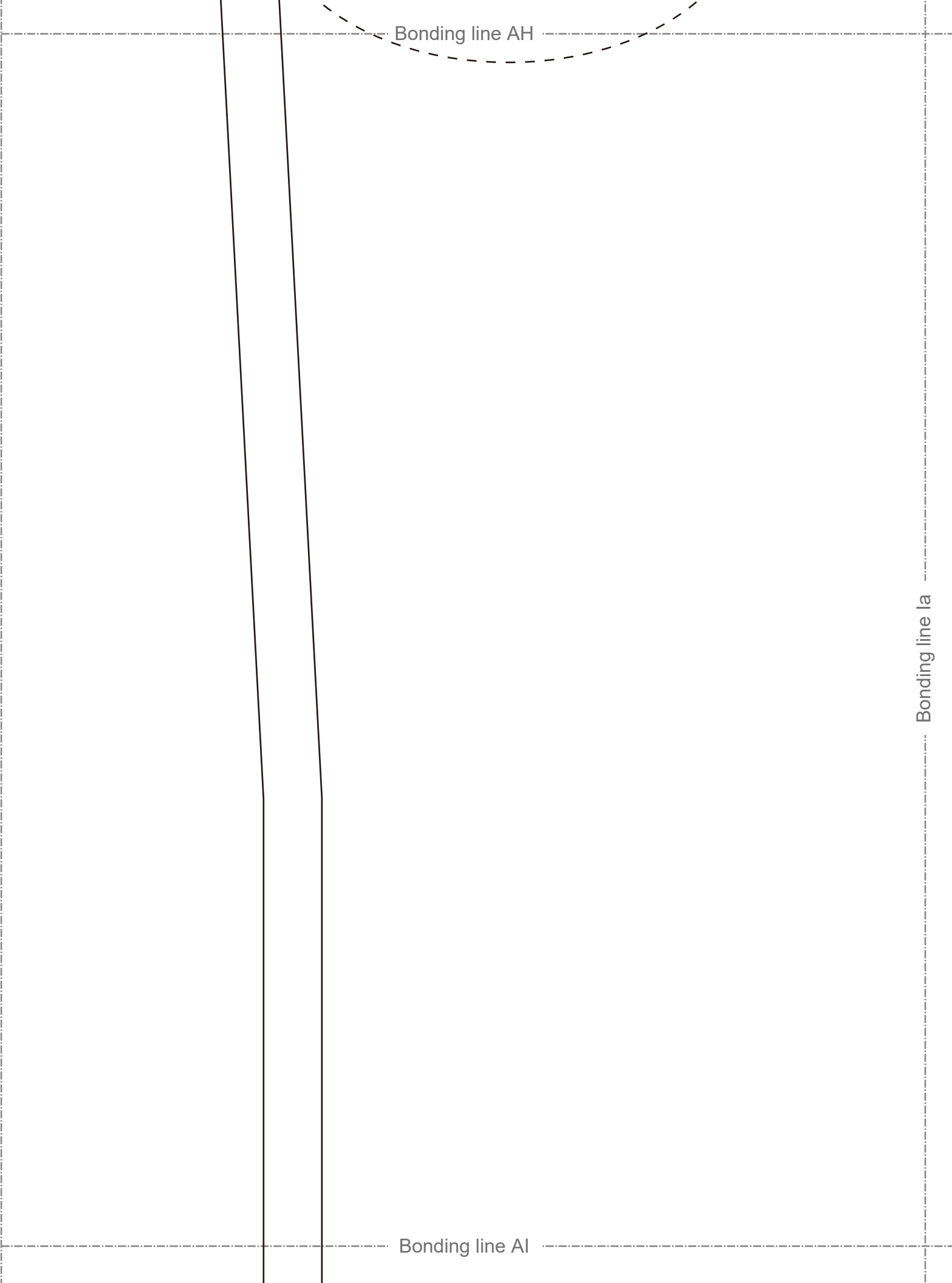
Bonding line AH



Bonding line AH

Bonding line AI

Bonding line Ia



Bonding line AI

Bonding line Ja

Bonding line AJ

Bonding line AJ

Bonding line AK

Bonding line Ka

Bonding line AK

Bonding line La

Bonding line AL

Bonding line AL

Bonding line Ma

Seam allowance

Bonding line Aa

Bonding line BA

Bonding line Ab

Bonding line BA

Bonding line Ba

Bonding line Bb

Bonding line BB

Bonding line BB

Bonding line Ca

Bonding line Cb

Bonding line BC

Bonding line BC

Bonding line Da

Bonding line Db

Bonding line BD

Bonding line BD

two sh
Boc
Funs

LADIE

Bonding line Eb

Bonding line Eb

Bonding line BE

Bonding line BE

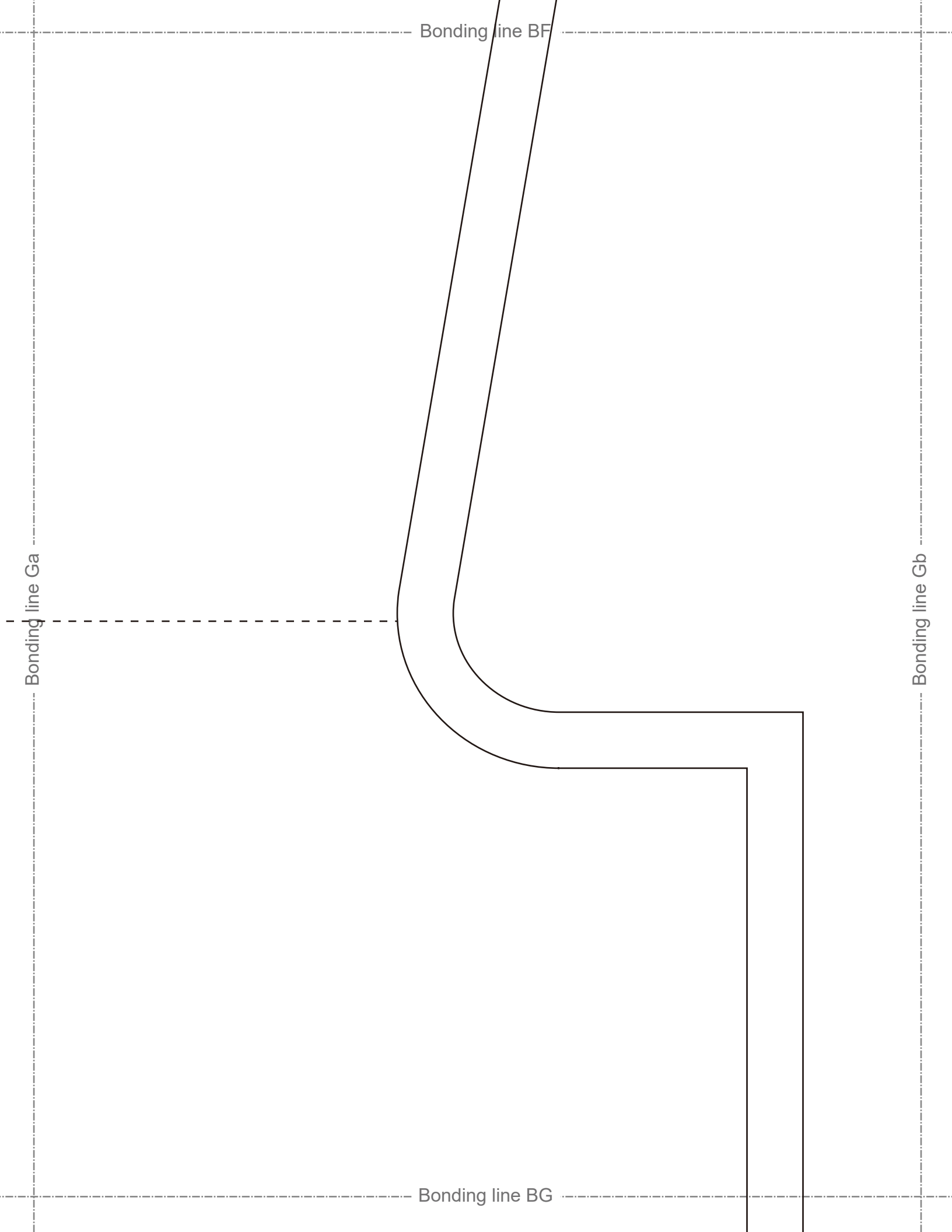
Bonding line Fa

Bonding line Fb

Okumi position

Bonding line BF





Bonding line BG

Bonding line Ha

Bonding line Hb

Bonding line BH

Bonding line BH

Bonding line Ia

Bonding line Ib

Bonding line BI

Bonding line BI

Bonding line Ja

Bonding line Jb

Bonding line BJ

Bonding line BJ

Bonding line Ka

Bonding line Kb

Bonding line BK

Bonding line BK



Bonding line La

Bonding line Lb

Bonding line BL

Bonding line BL

Bonding line Ma

Bonding line Mb

Bonding line Ab

Bonding line Ac



Sewing stop position

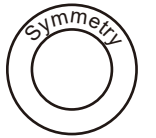
Bonding line CA



Bonding line CA

Bonding line Bb

LADIE



Bonding line Bb
Fu
S
one

Bonding line CB

Bonding line CB

Bonding line Cb

Bonding line Cc

Bonding line CC



Bonding line CC

Bonding line Db

Bonding line Dc

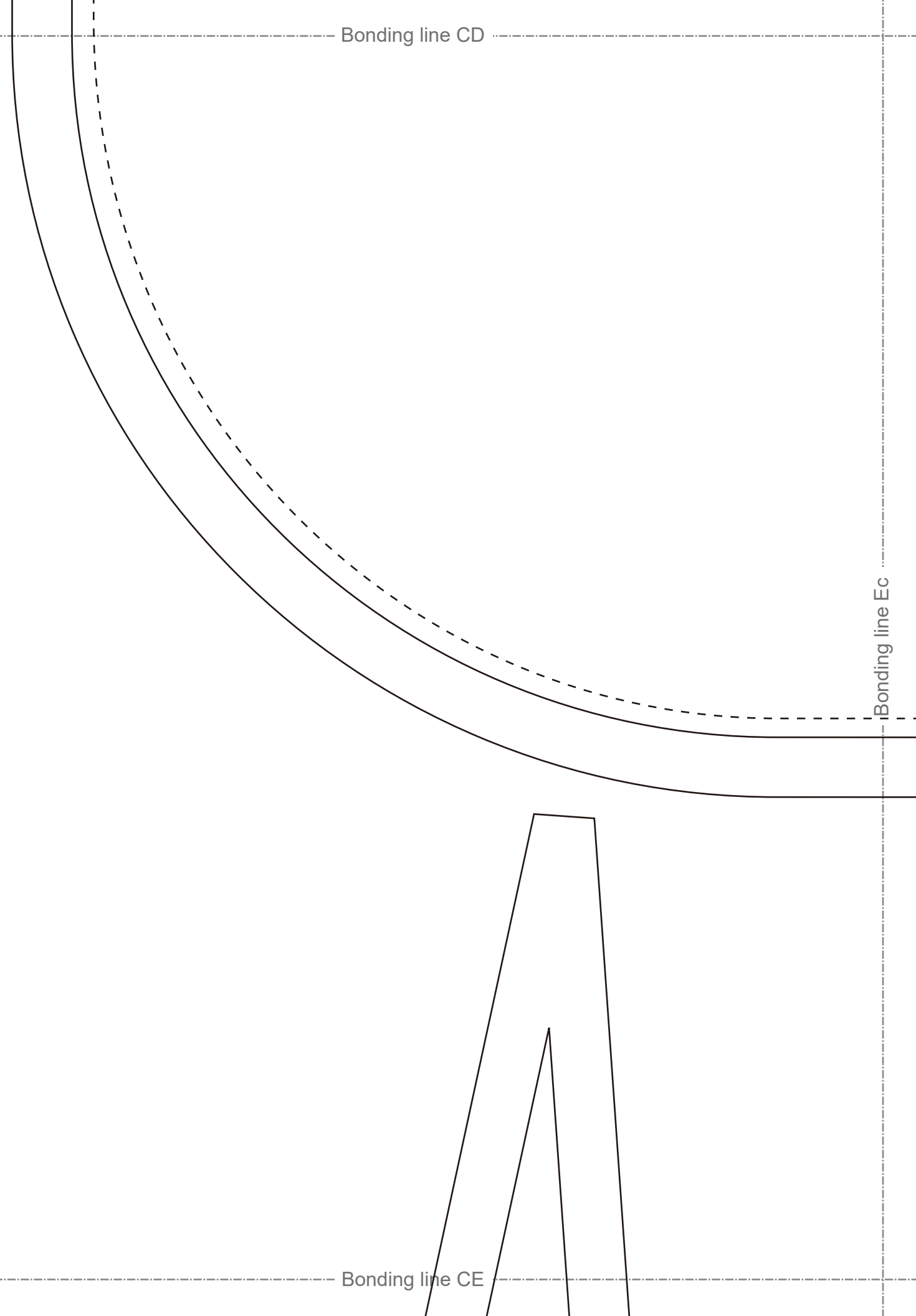
Bonding line CD

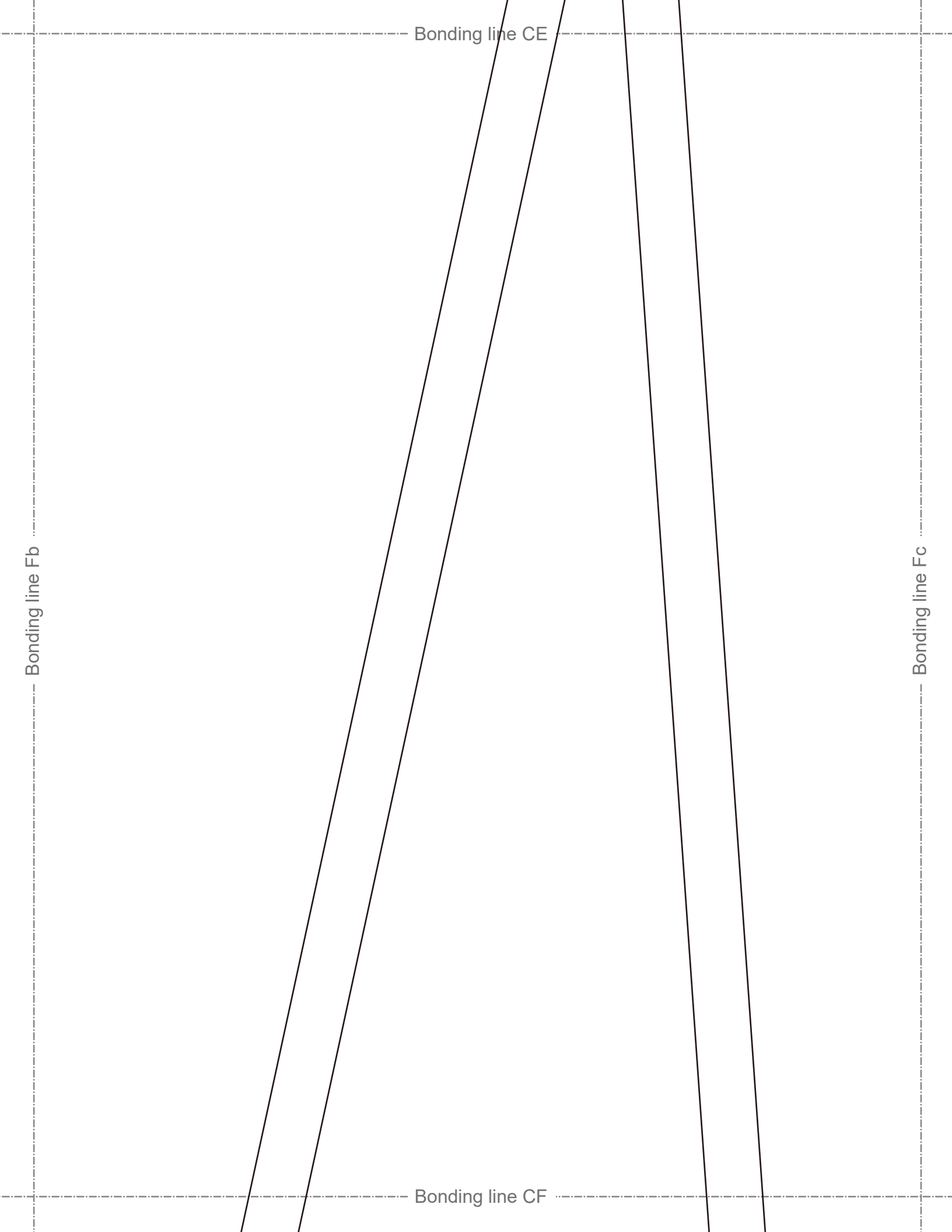
Bonding line CD

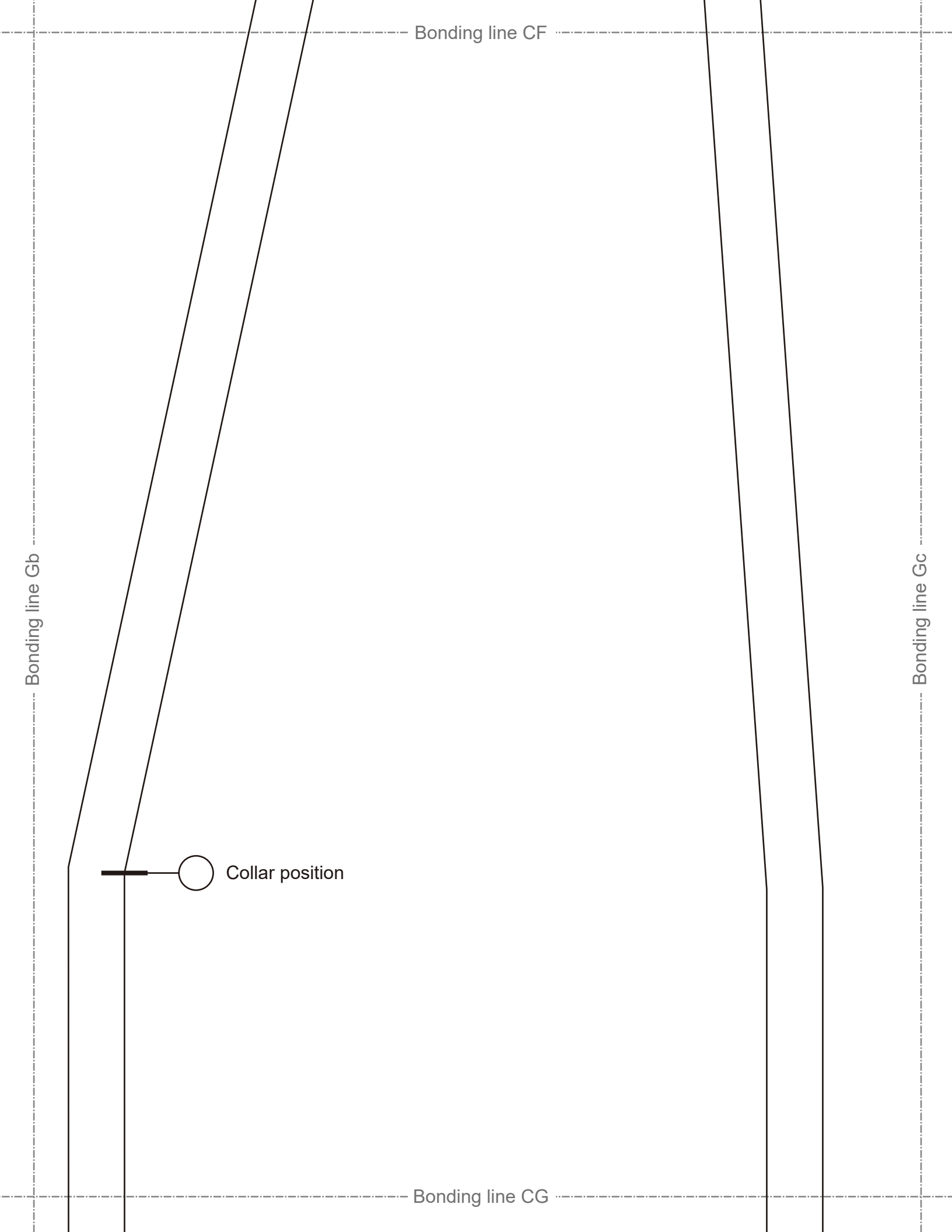
Bonding line Eb

Bonding line Ec

Bonding line CE







Bonding line CG

LADIES'  size

Furisode
Okumi
two sheets

Bonding line Hb

Bonding line Hc

Bonding line CH

Bonding line CH

Bonding line Ib

Bonding line Ic

Bonding line CI



Grain Line

Bonding line CI

Bonding line Jb

Bonding line Jc

Bonding line CJ

Bonding line CJ



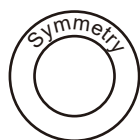
Seam allowance 1/2in.

Bonding line Kb



Bonding line Kc

LADIES'  **size**



Furisode
Top layer collar
one sheets

Bonding line CK

Bonding line CK

Bonding line Lb

Bonding line Lc



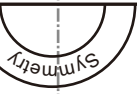
Grain Line

DRCOS

SITE <http://dr-cos.info/en> <http://dr-cos.com/jp>
MAIL info@dr-cos.com
Twitter https://twitter.com/drcos_com
facebook <https://www.facebook.com/drcoscom>

Seam allowance 1/2in.

Bonding line CL



Bonding line Ac

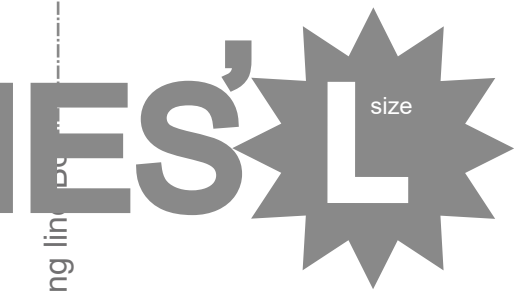
Bonding line Ad

Sleeve stop position



Bonding line DA

Bonding line DA



Furisode
Sleeve
one sheets

Bonding line Bd

Bonding line DB

Bonding line DB

Bonding line Cc

Bonding line Cd

Bonding line DC



Grain Line

Bonding line DC

Bonding line Dc

Bonding line Dd

Bonding line DD

Bonding line DD

Bonding line Ec

Bonding line Ed



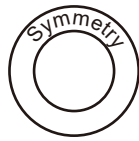
Seam allowance 1/2in.



Bonding line Fc

Bonding line Fd

LADIES'  size



Furisode
Collar
one sheets

Notch mark 

Bonding line DF

Bonding line DF

Bonding line Gc

Bonding line Gd



Bonding line DG



Grain Line

Bonding line DG



Bonding line Hc

Bonding line Hd



Seam allowance 1/2in.

Bonding line DH

LADIES'  size

Furisode
Collar interlining cloth
one sheets



DRCOS

SITE [http://dr-cos.info\(en\)](http://dr-cos.info(en)) [http://dr-cos.com\(jp\)](http://dr-cos.com(jp))
MAIL info@dr-cos.com
Twitter [@drcos_com](https://twitter.com/@drcos_com)
facebook <https://www.facebook.com/drcoscom>